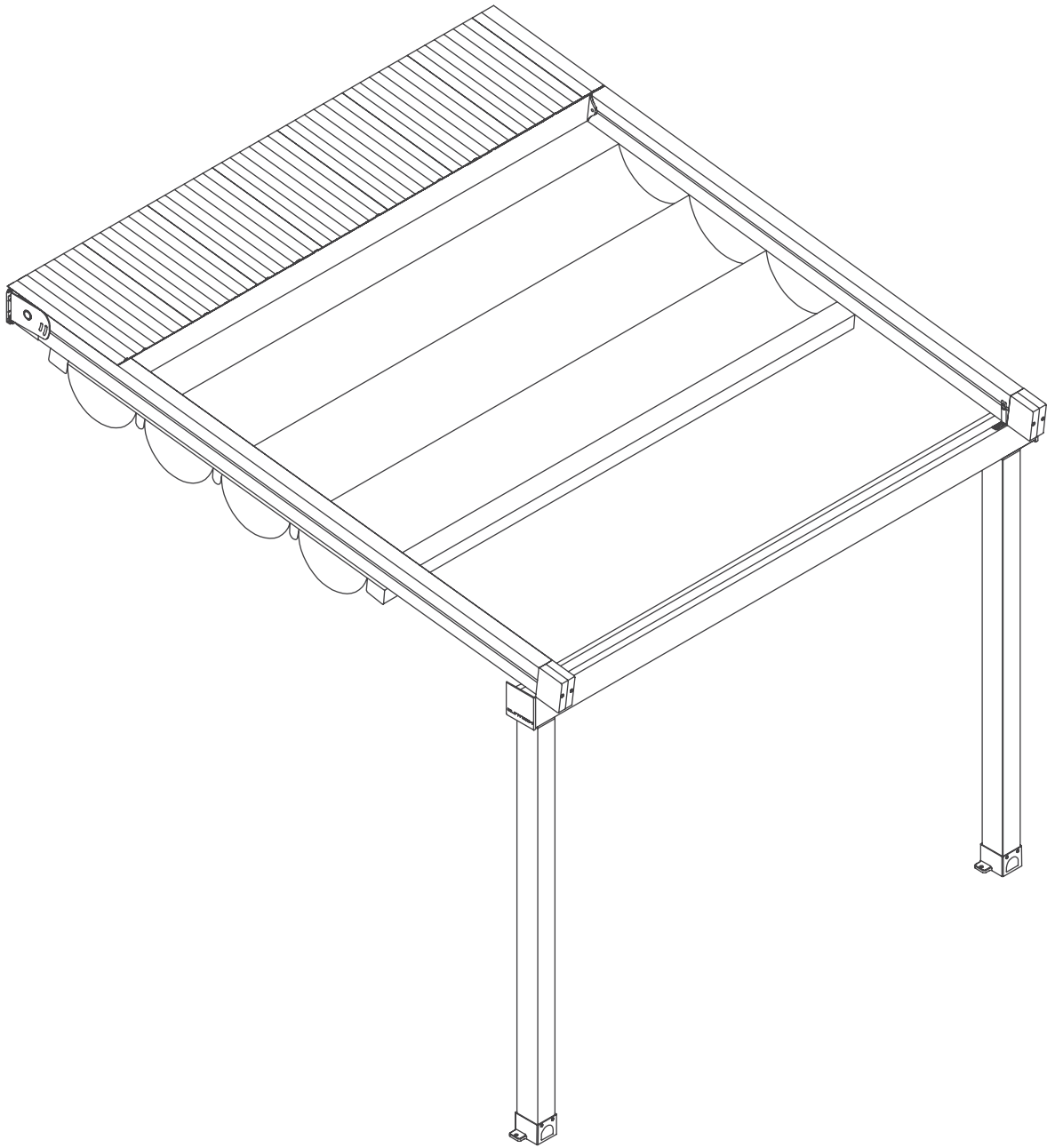


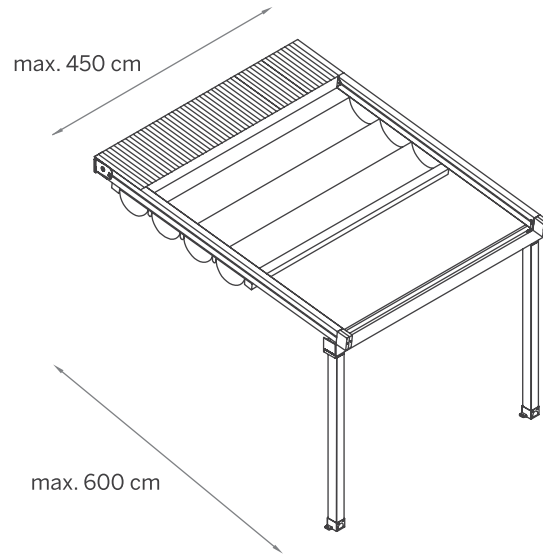
Eva



# Eva

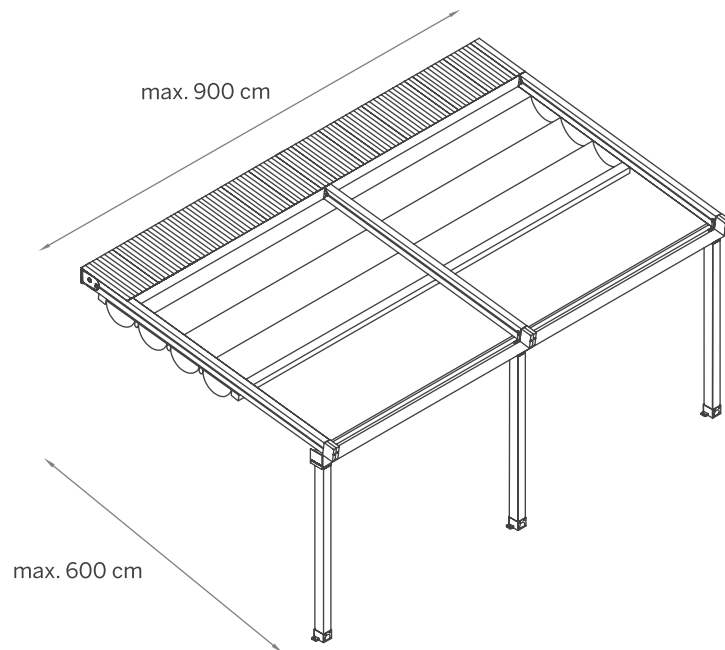
## One Module

200 cm > 450 cm  
One Module with one motor & 2 rafters



## Two Modules

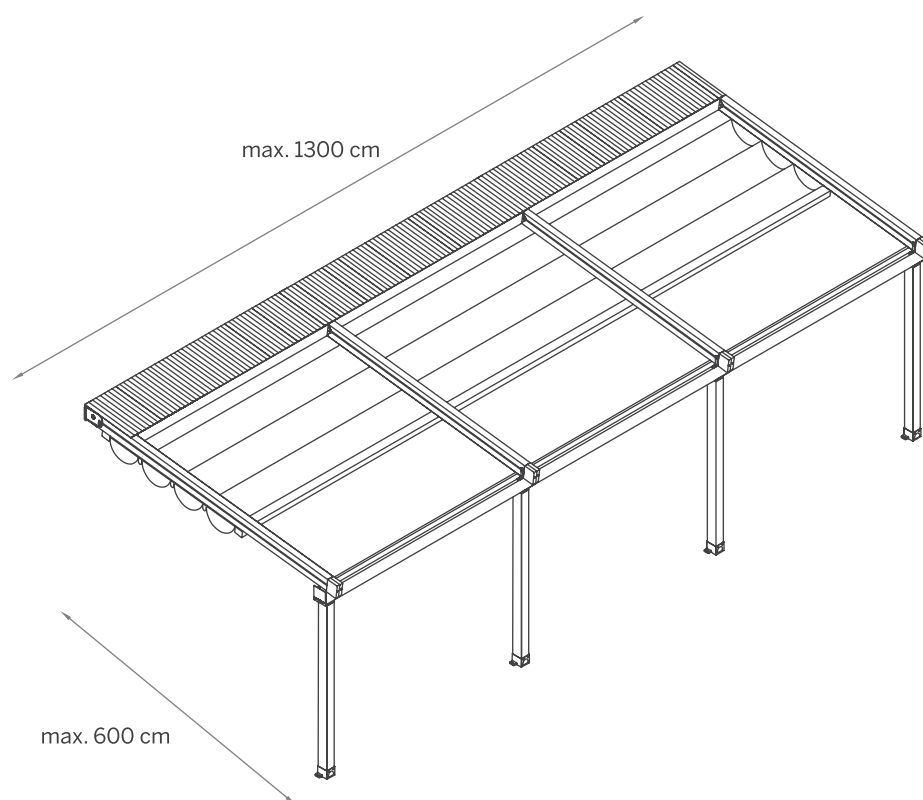
450 cm > 900 cm  
Two Modules with one motor & 3 rafters



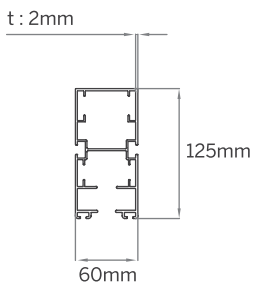
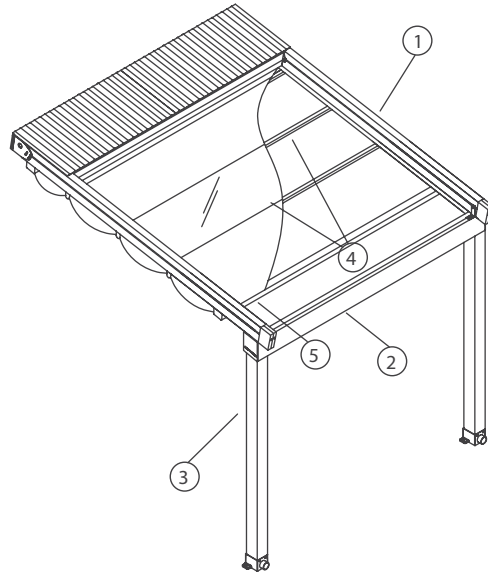
### Three Modules

900 cm > 1300 cm

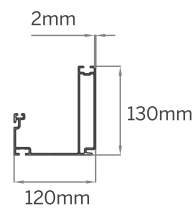
Three Modules with one motor & 4 rafters



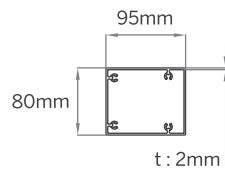
# Eva



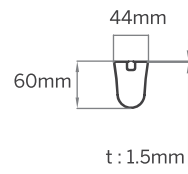
① Rafter



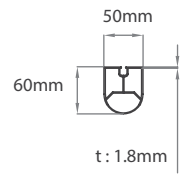
② Gutter



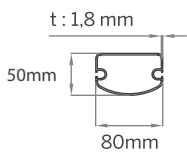
③ Post



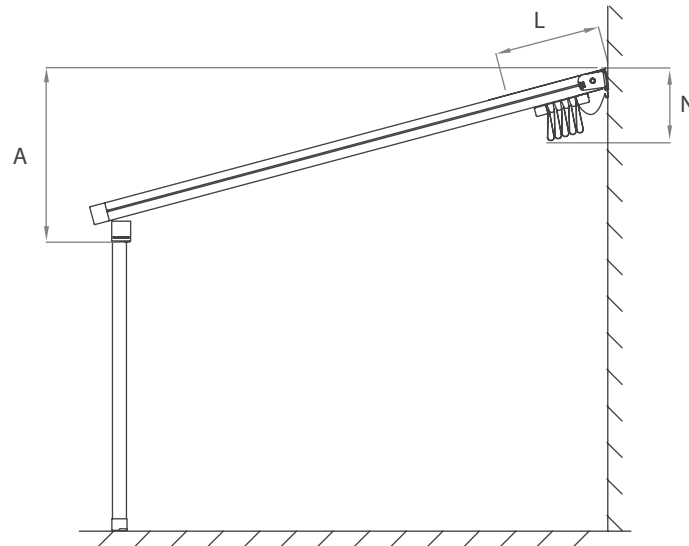
④ Fabric Support (Standart)



④ Fabric Support (HDD Lux)



⑤ Puller Profile



## Eva

	Fabric Height (N*) mm	Hood (L*) mm	Fall (A*,**) mm	Fab.Sup.Profiles pc*
300	417	672	625	7
350	409	811	685	9
400	424	881	745	10
450	437	950	805	11
500	449	1020	865	12
550	461	1089	929	13
600	472	1159	990	14

\* With min. inclination of 7°. Values can vary by other inclination values.