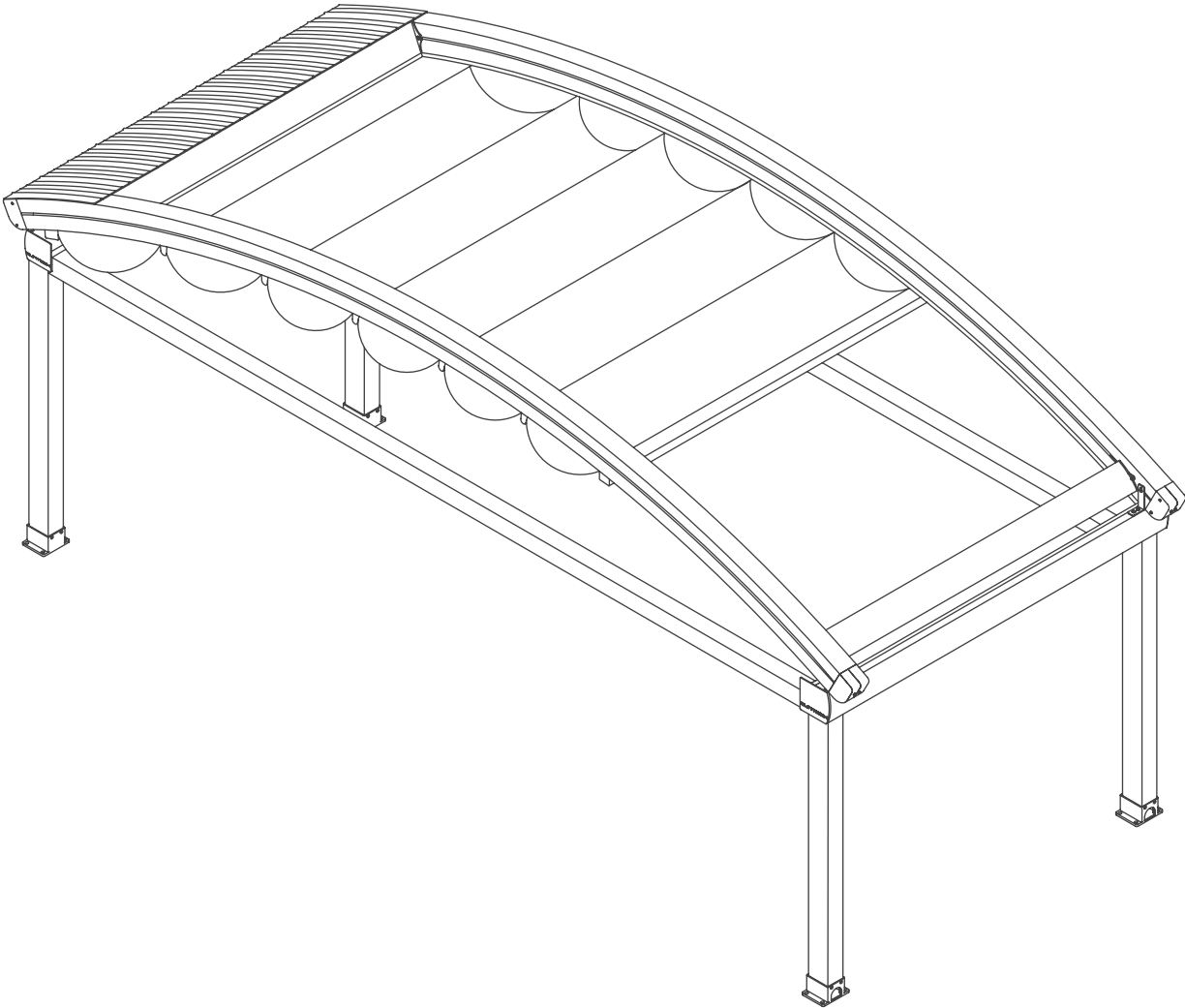


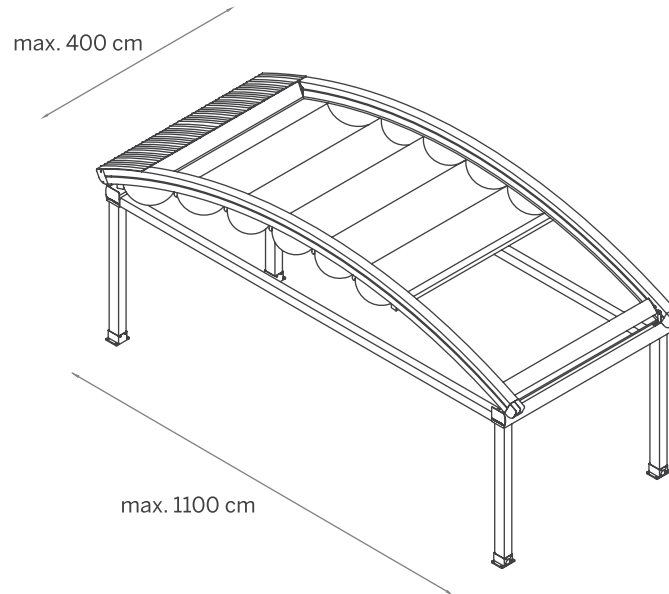
Luna



Luna

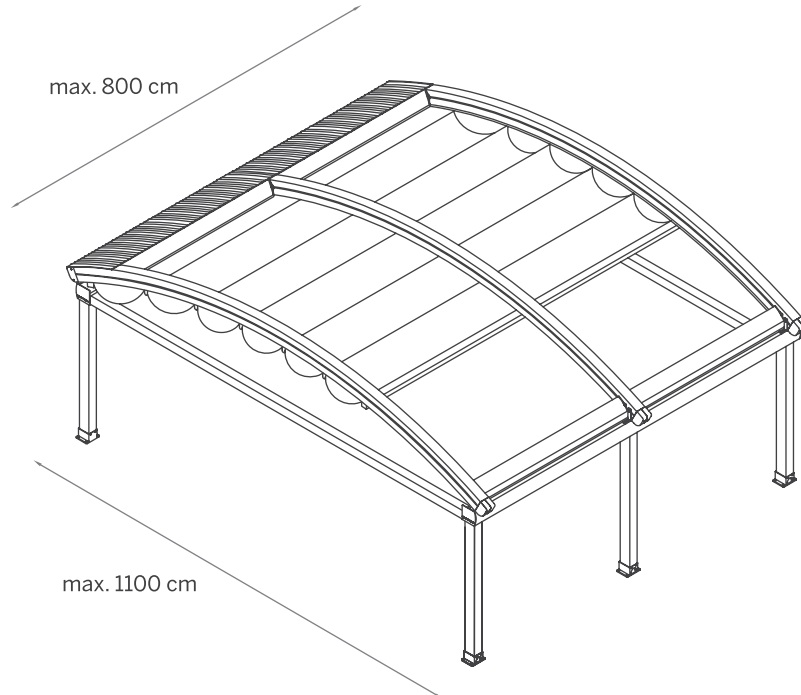
One Module

200 cm > 400 cm
One Module with one motor & 2 rafters



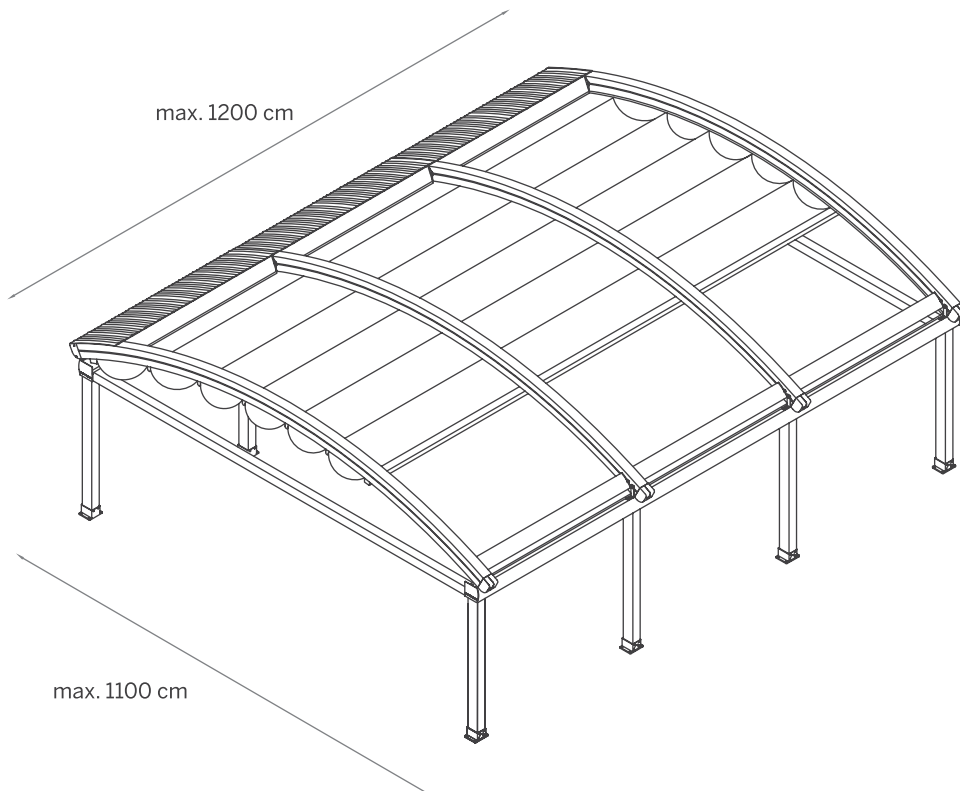
Two Modules

400 cm > 800 cm
Two Modules with one motor & 3 rafters



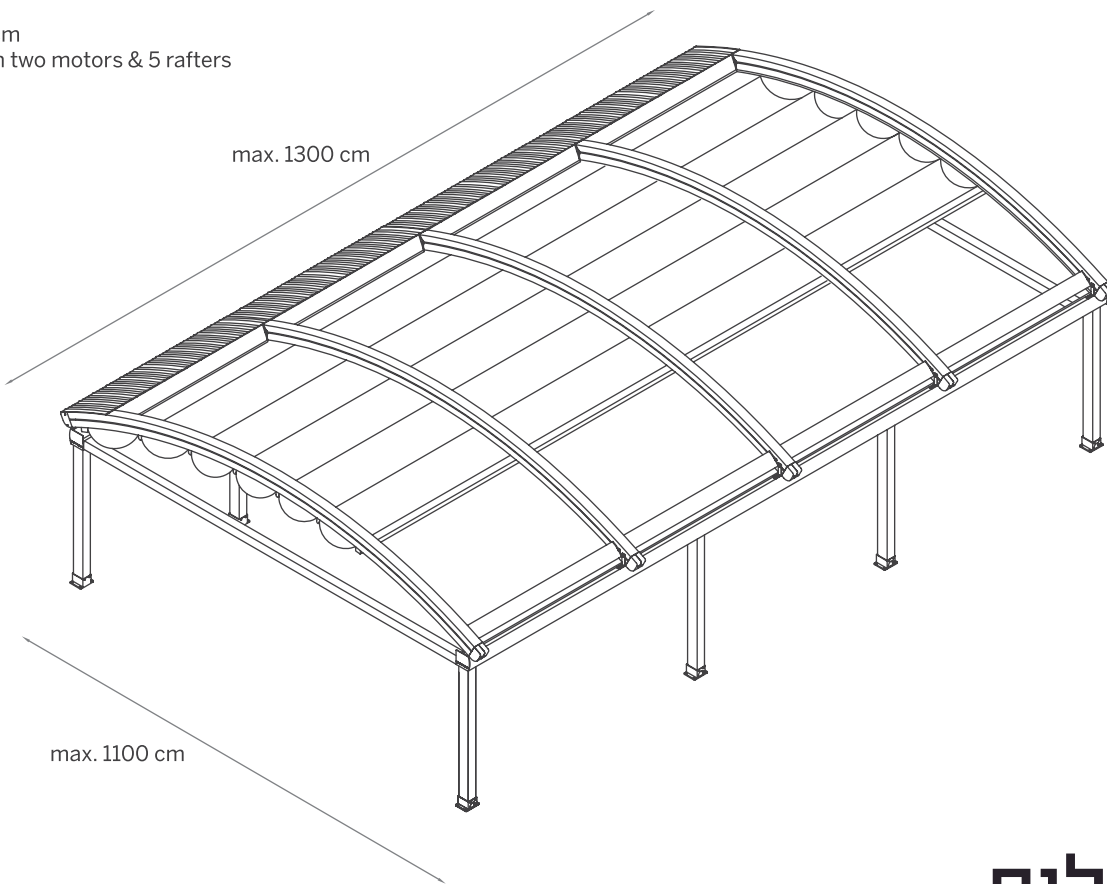
Three Modules

800 cm > 1200 cm
Three Modules with two motors & 4 rafters

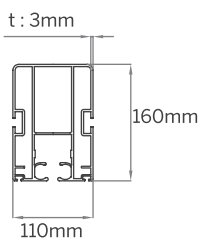
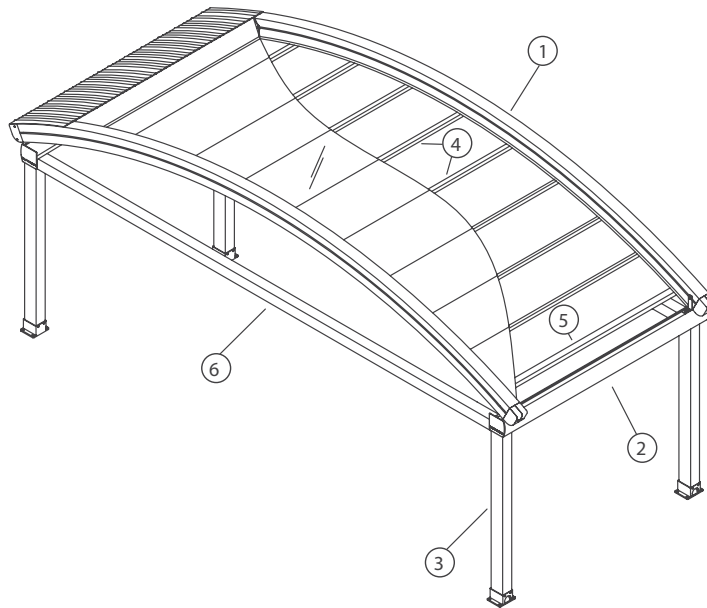


Four Modules

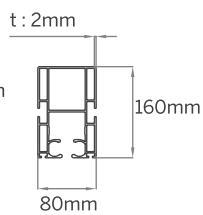
1200 cm > 1300 cm
Four Modules with two motors & 5 rafters



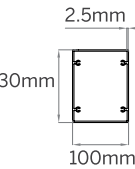
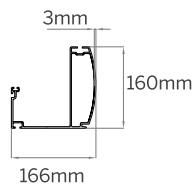
Luna



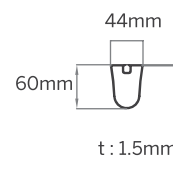
① Rafter



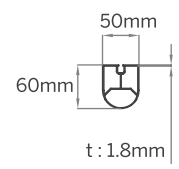
② Gutter



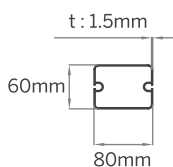
③ Post



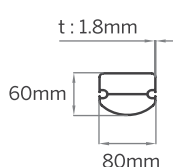
④ Fabric Support (Standart)



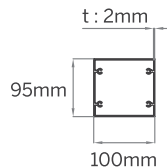
④ Fabric Support (HDD Lux)



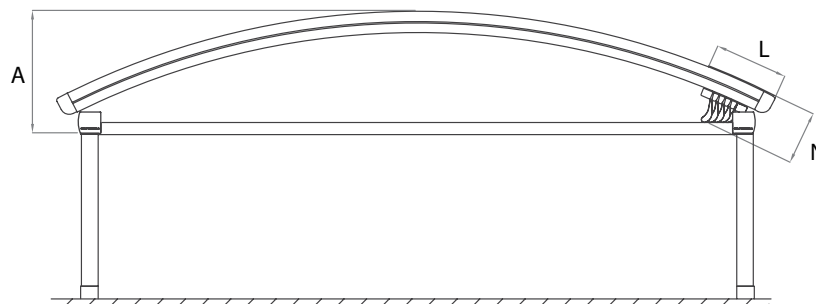
⑤ Puller Profile (Standart)



⑤ Puller Profile (HDD Lux)



⑥ Side Rafter



Luna LT

	Fabric Height	Hood	Fall	Fab.Sup.Profiles
	(N*) mm	(L*) mm	(A*) mm	pc*
300	370	731	588	9
350	370	724	705	9
400	370	830	779	11
450	370	962	922	13
500	370	953	843	13
550	370	1066	967	15
600	370	1178	847	17
650	370	1190	949	17
700	370	1281	962	19

*Values can vary by different radius values.

Luna XL

	Fabric Height	Hood	Fall	Fab.Sup.Profiles
	(N*) mm	(L*) mm	(A*) mm	pc*
300	370	755	623	9
350	370	744	740	9
400	370	848	814	11
450	370	968	957	13
500	370	950	878	13
550	370	1078	1002	15
600	370	1178	882	17
650	370	1192	984	17
700	370	1288	997	19
750	370	1406	1101	21
800	370	1390	1086	21
850	370	1493	1189	23
900	370	1502	1137	23
950	370	1612	1234	25
1000	370	1635	1238	25
1050	370	1726	1202	27
1100	370	1724	1202	27

*Values can vary by different radius values.