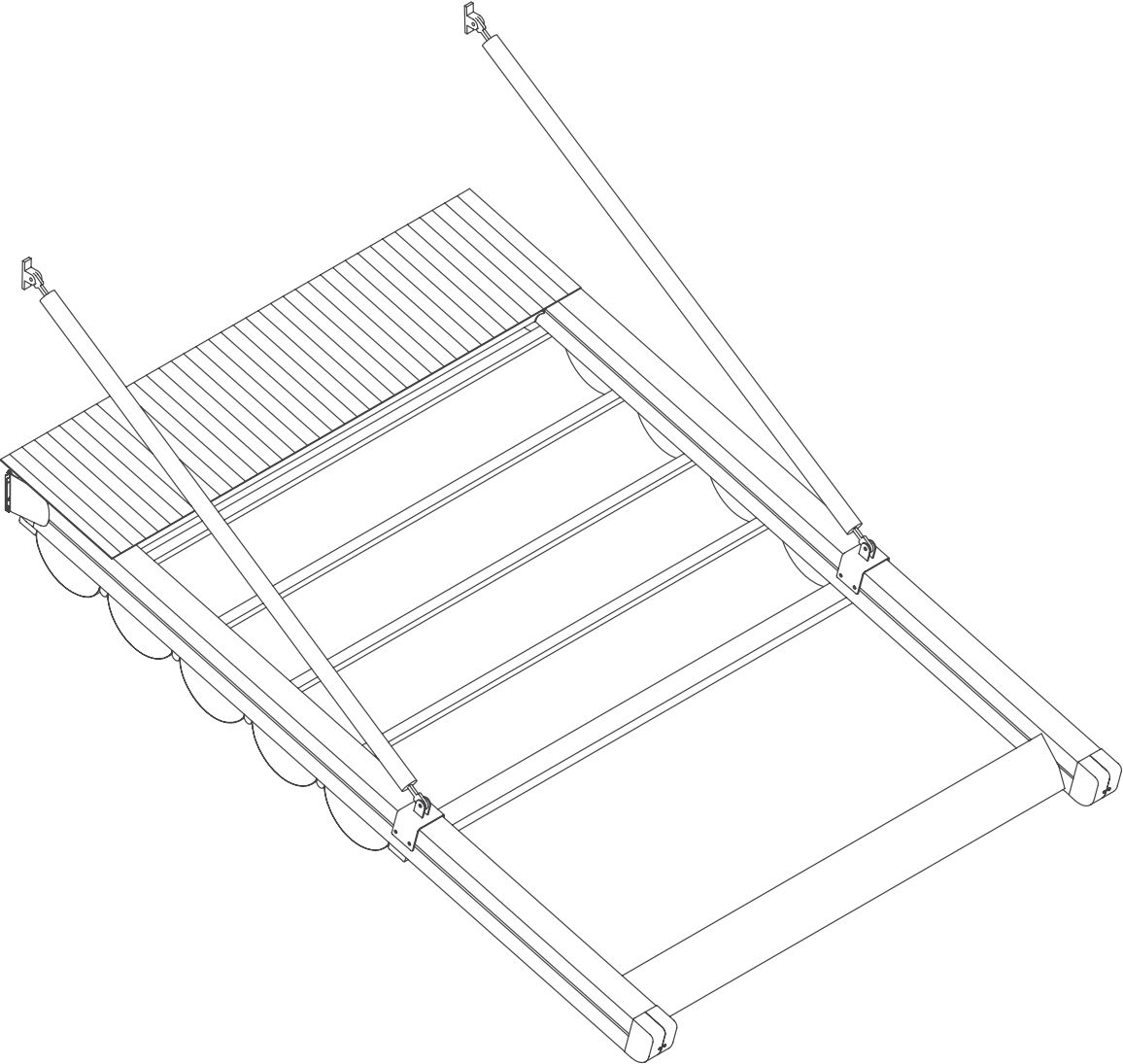


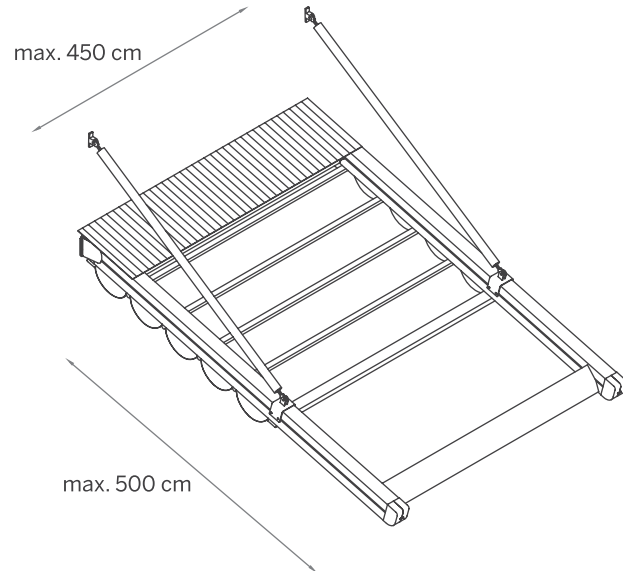
Mn3



# Mn3

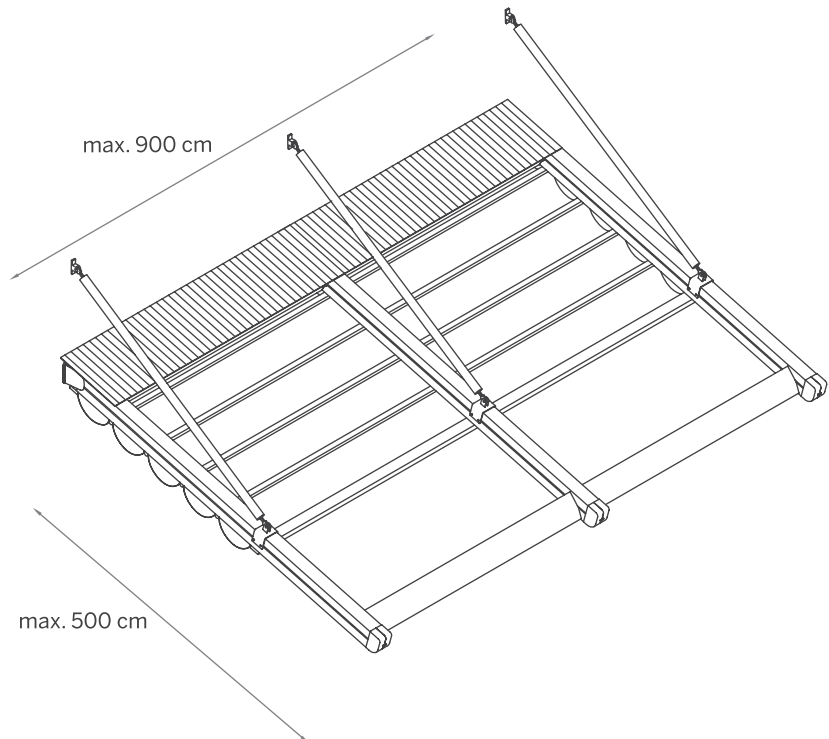
## One Module

200 cm > 450 cm  
One Module with one motor & 2 rafters



## Two Modules

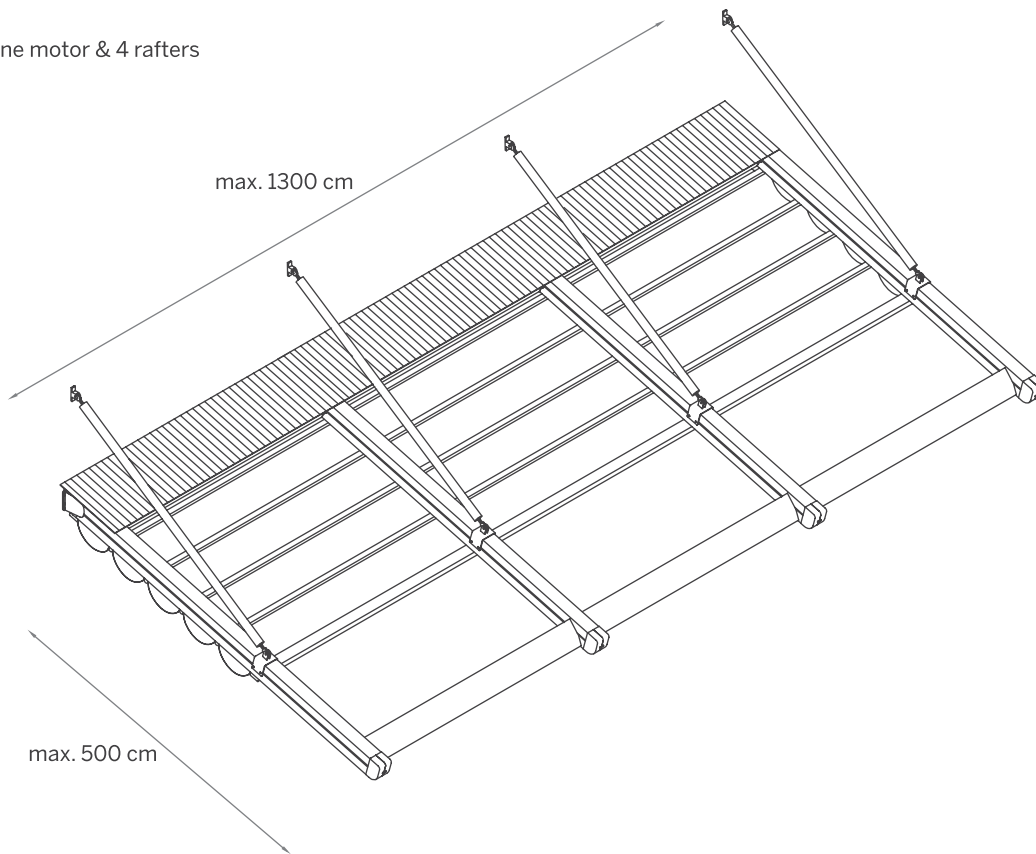
450 cm > 900 cm  
Two Modules with one motor & 3 rafters



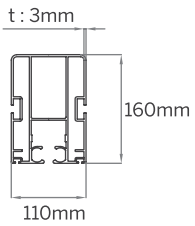
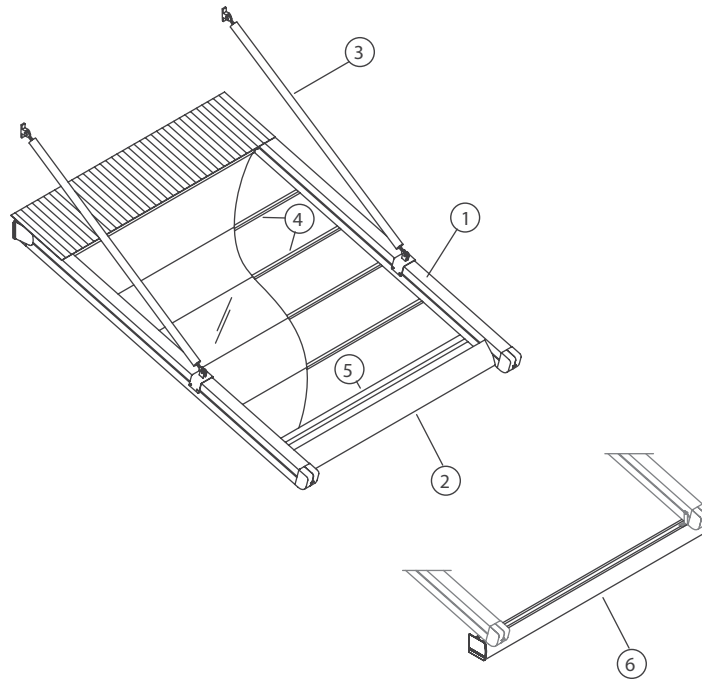
**Three Modules**

900 cm &gt; 1300 cm

Three Modules with one motor &amp; 4 rafters

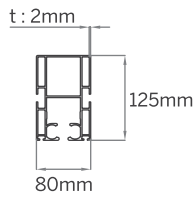


# Mn3



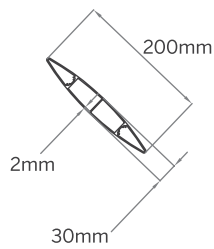
XL

① Rafter

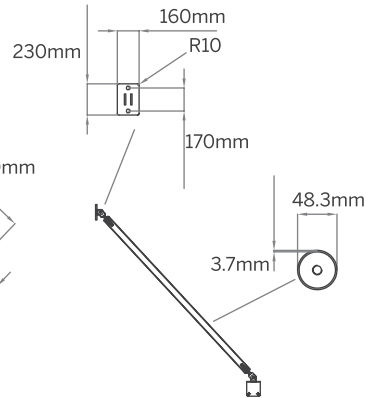


LT

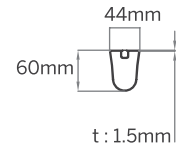
② Aerofoil Louvre



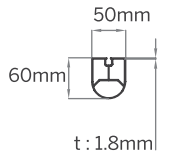
② Aerofoil Louvre



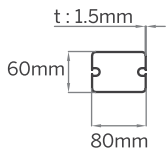
③ Hang



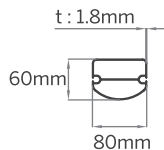
④ Fabric Support (Standart)



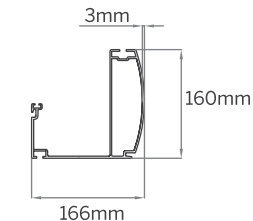
④ Fabric Support (HDD Lux)



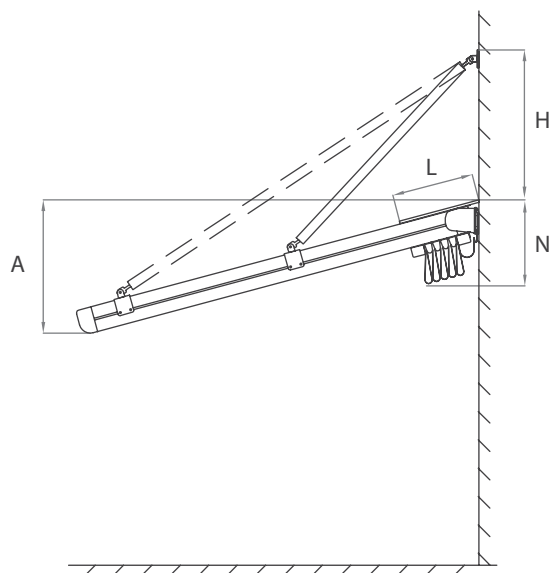
⑤ Puller Profile (Standart)



⑤ Puller Profile (HDD Lux)



⑥ Gutter



### Mn3 LT

	Fabric Height	Hood	Fall	Hang Distance	Fab.Sup.Profiles
	(N*) mm	(L*) mm	(A*, **) mm	(H*) mm	pc*
Projection (P) cm 300	403	651	485	664	7
350	411	706	546	805	8
400	418	761	608	945	9
450	431	871	669	1085	11
500	437	1091	731	1225	12

\*With min. inclination of 7°. Values can vary by other inclination values.

\*\* +160 mm distance with optional front gutter system.

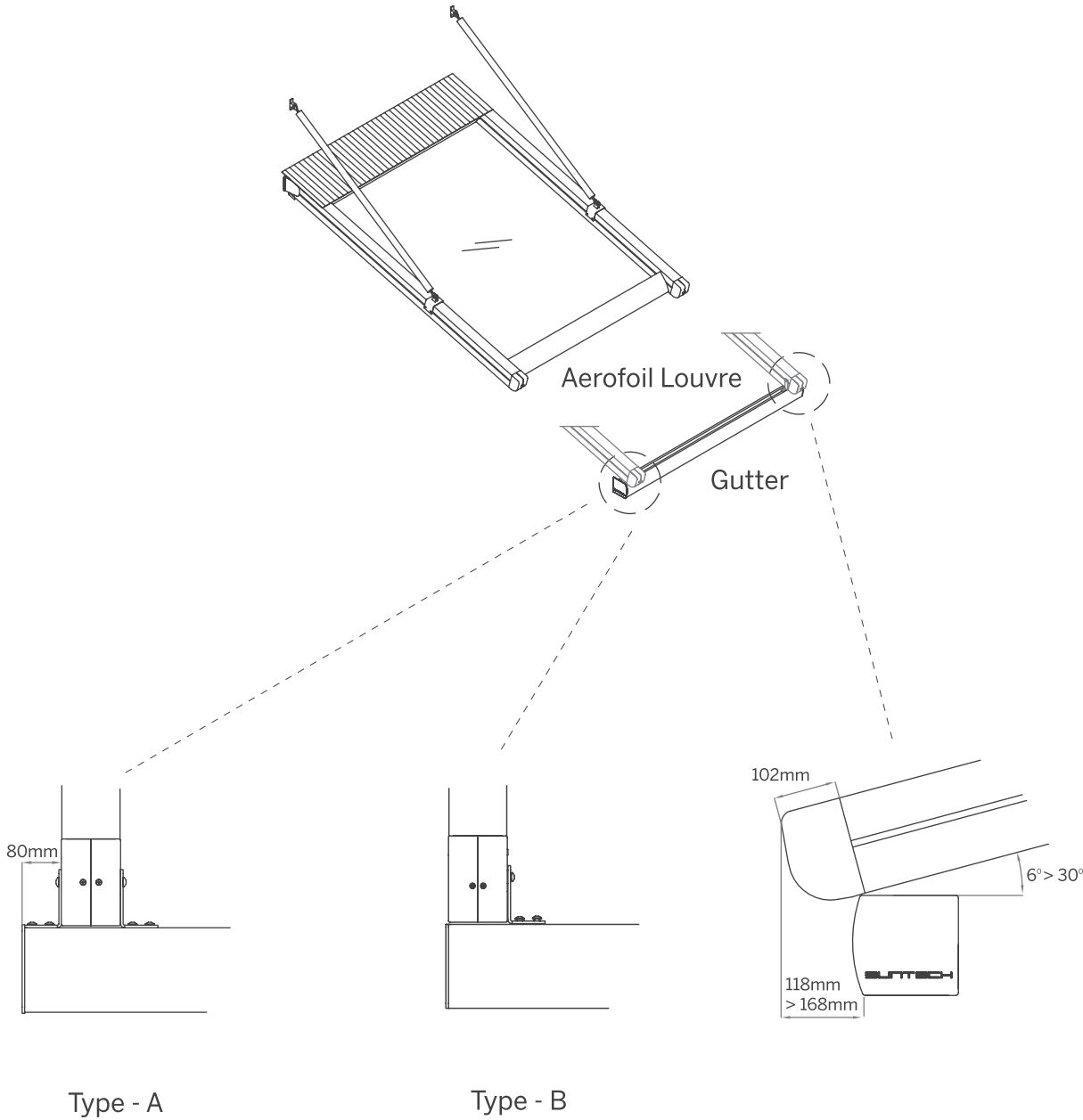
### Mn3 XL

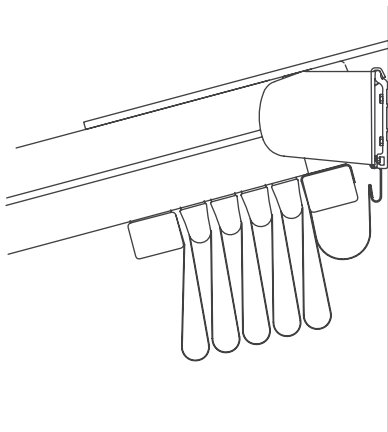
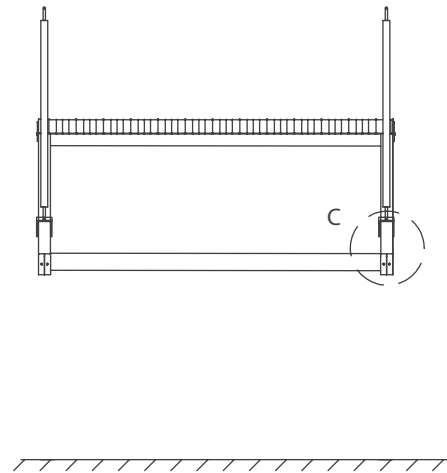
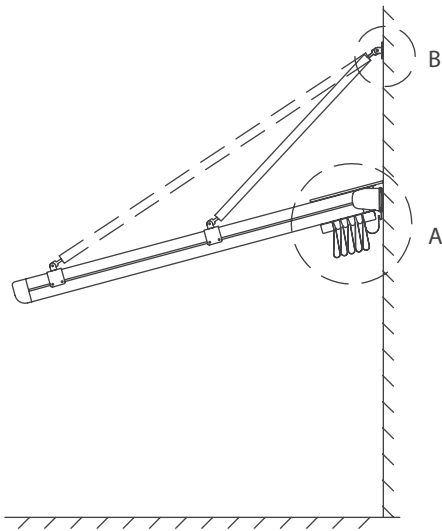
	Fabric Height	Hood	Fall	Hang Distance	Fab.Sup.Profiles
	(N*) mm	(L*) mm	(A*, **) mm	(H*) mm	pc*
Projection (P) cm 300	438	646	511	664	7
350	446	701	573	805	8
400	453	756	634	945	9
450	466	866	696	1085	11
500	472	921	757	1225	12

\*With min. inclination of 7°. Values can vary by other inclination values.

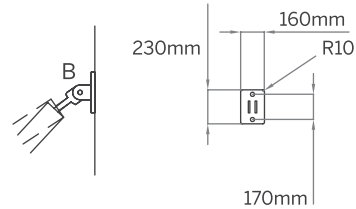
\*\* +160 mm distance with optional front gutter system.

# Mn3

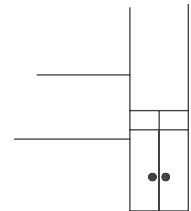




DETAIL A

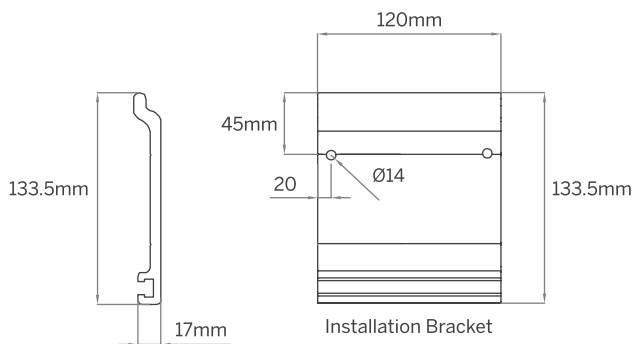


DETAIL B



DETAIL C

**LT**



**XL**

