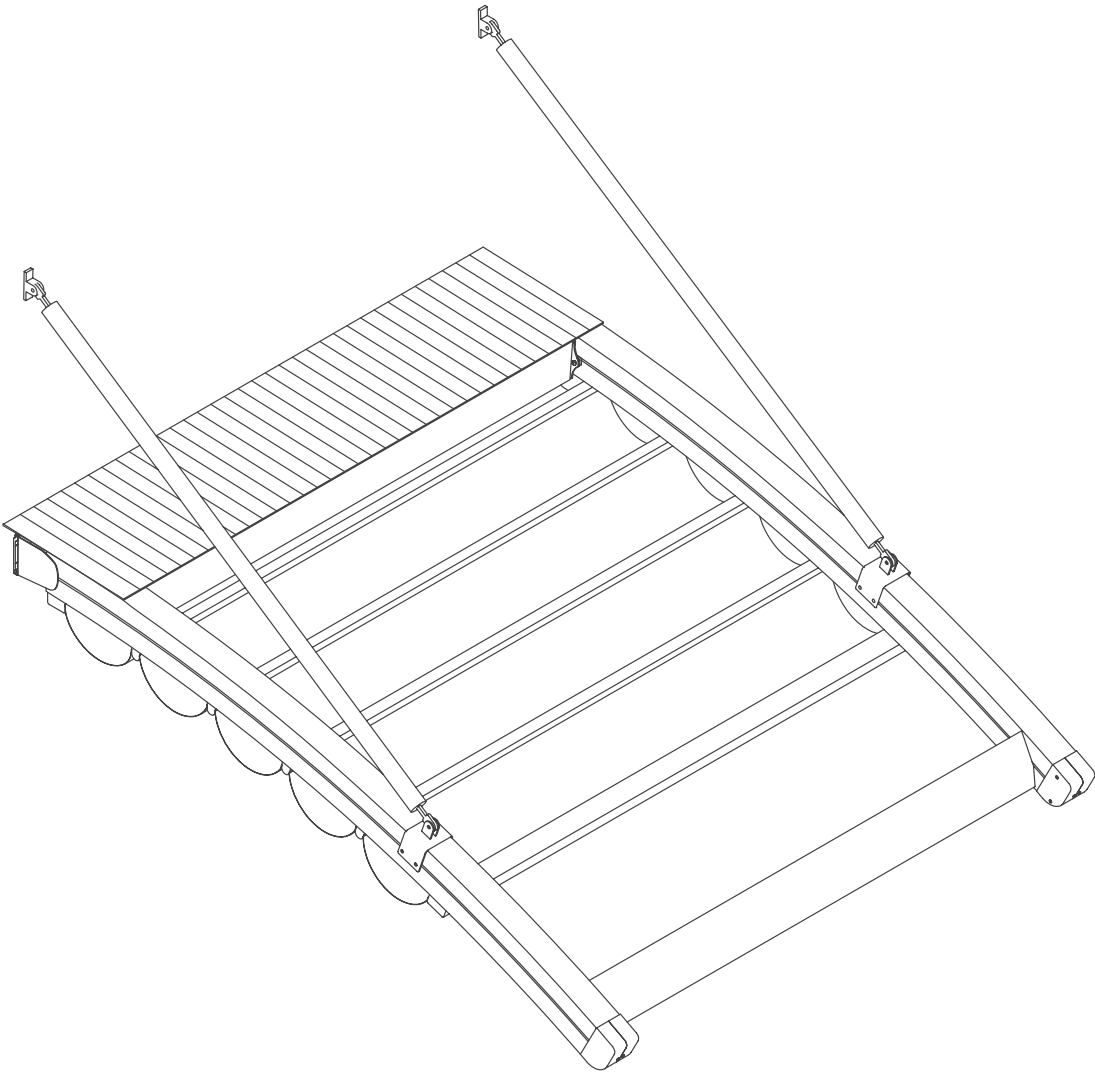


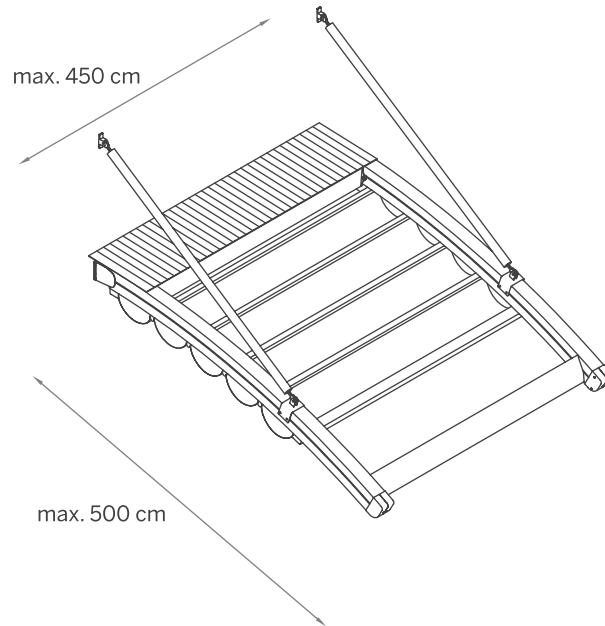
Mn4



Mn4

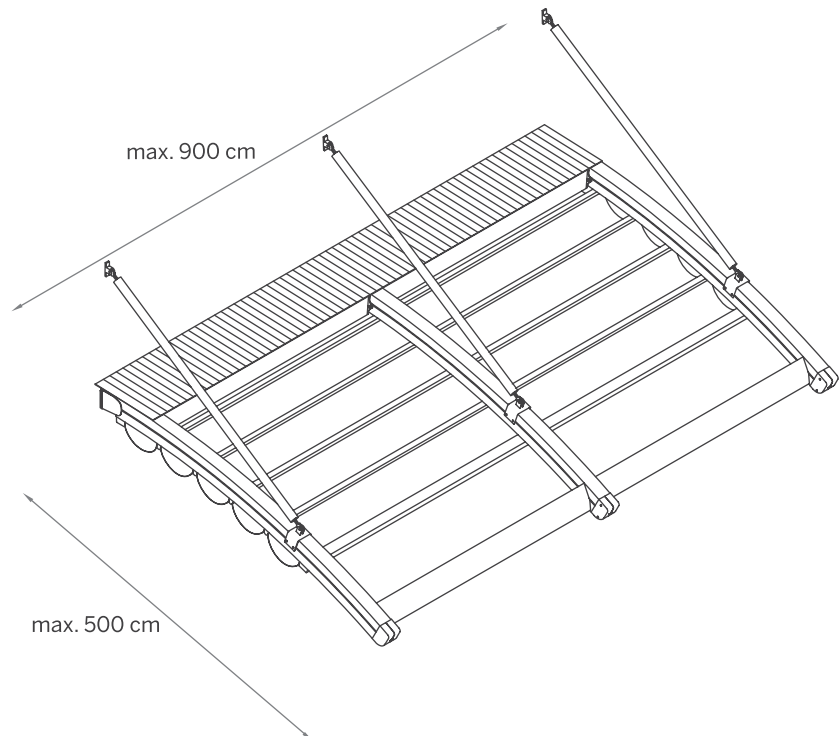
One Module

200 cm > 450 cm
One Module with one motor & 2 rafters



Two Modules

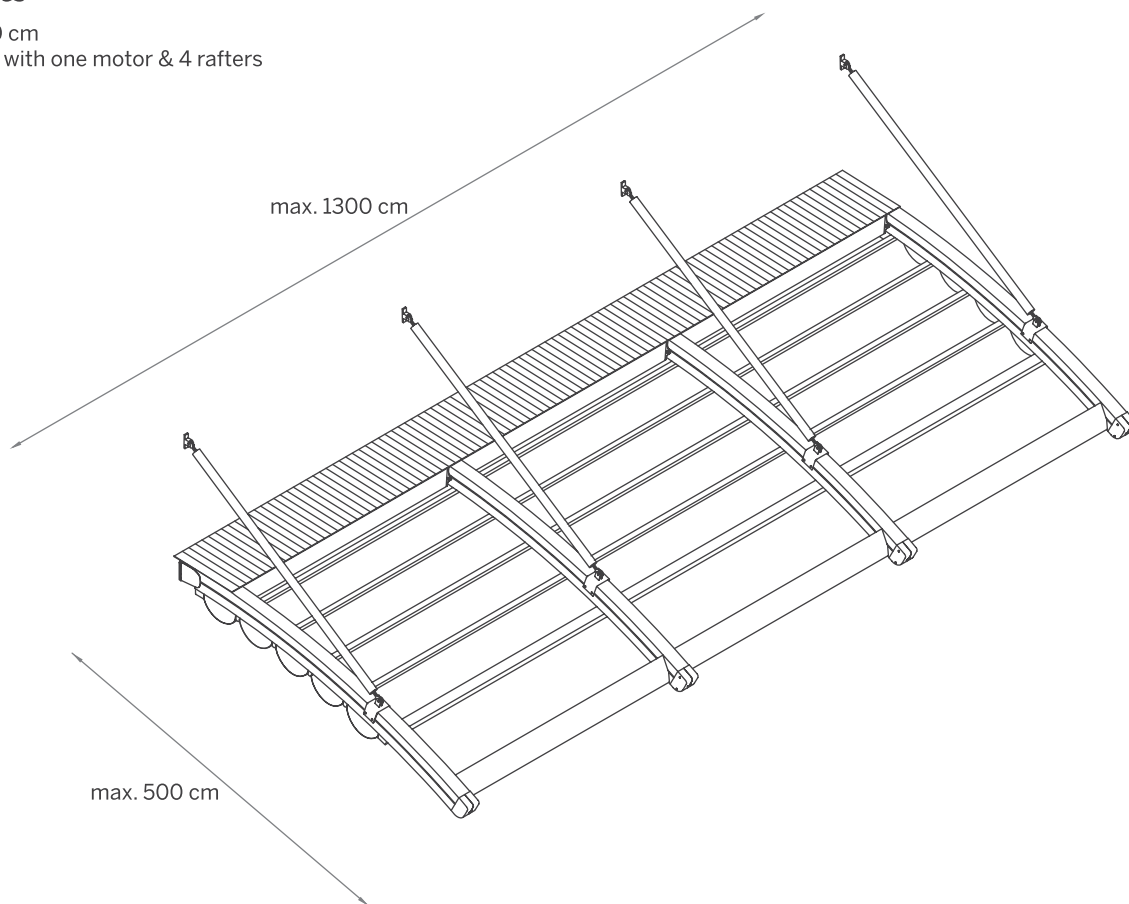
450 cm > 900 cm
Two Modules with one motor & 3 rafters



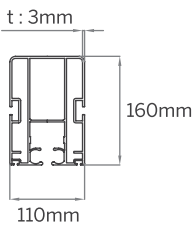
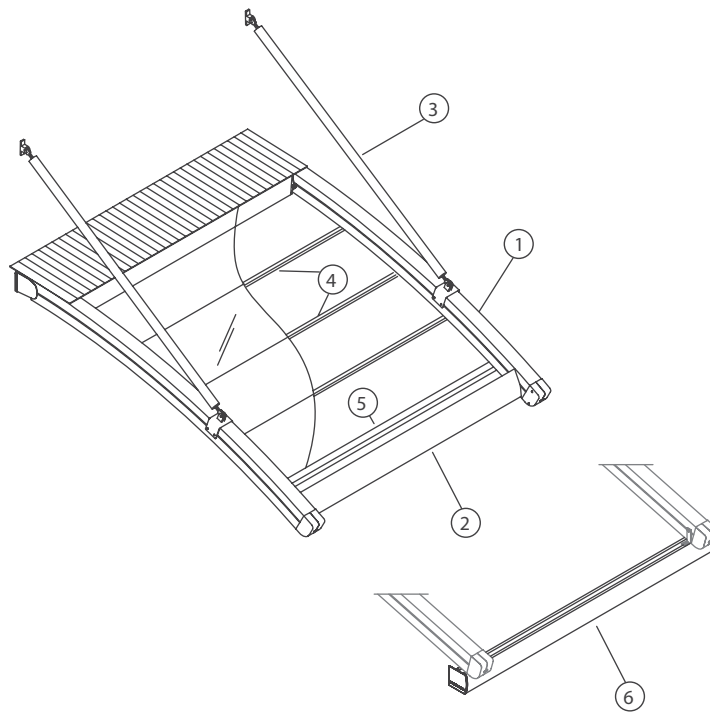
Three Modules

900 cm > 1300 cm

Three Modules with one motor & 4 rafters

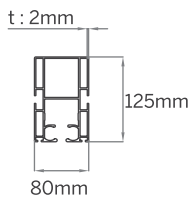


Mn4



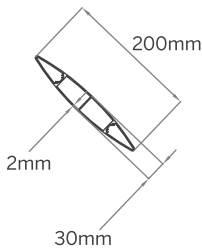
XL

① Rafter

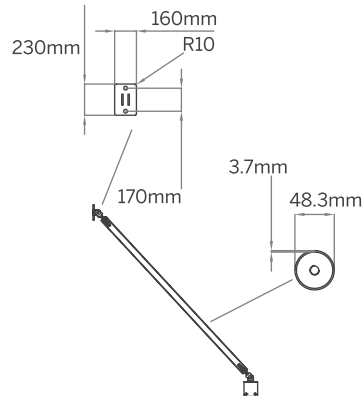


LT

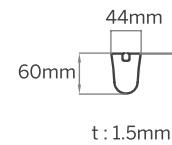
② Aerofoil Louvre



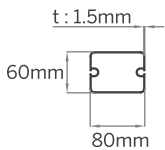
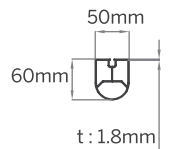
③ Hang



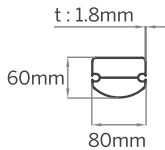
④ Fabric Support (Standart)



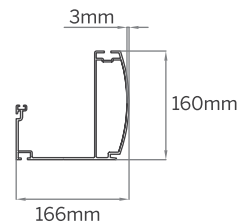
④ Fabric Support (HDD Lux)



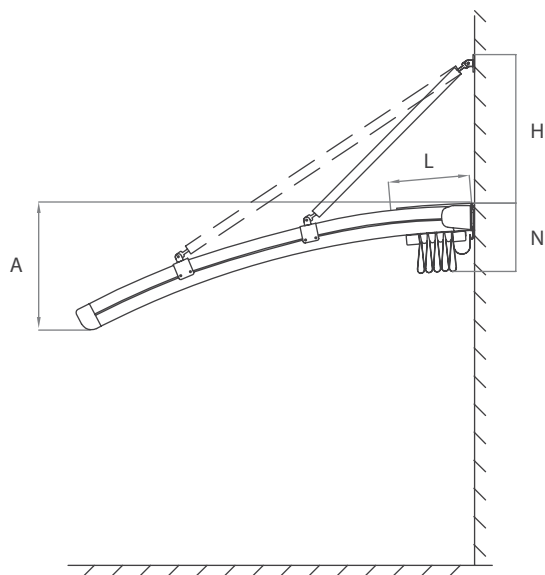
⑤ Puller Profile (Standart)



⑤ Puller Profile (HDD Lux)



⑥ Gutter



Mn4 LT

	Fabric Height	Hood	Fall	Hang Distance	Fab.Sup.Profiles	
	(N*) mm	(L*) mm	(A*,**) mm	(H*) mm	pc*	
Projection (P) cm	300	387	727	677	766	8
	350	389	772	828	967	9
	400	393	830	922	1161	10
	450	396	876	1054	1382	11
	500	396	928	1173	1592	12

* Values can vary by different radius values.

** +160 mm distance with optional front gutter system.

Mn4 XL

	Fabric Height	Hood	Fall	Hang Distance	Fab.Sup.Profiles	
	(N*) mm	(L*) mm	(A*,**) mm	(H*) mm	pc*	
Projection (P) cm	300	412	707	705	766	8
	350	415	745	857	967	9
	400	418	801	951	1161	10
	450	421	857	1082	1382	11
	500	421	908	1202	1592	12

* Values can vary by different radius values.

** +160 mm distance with optional front gutter system.

Mn4

