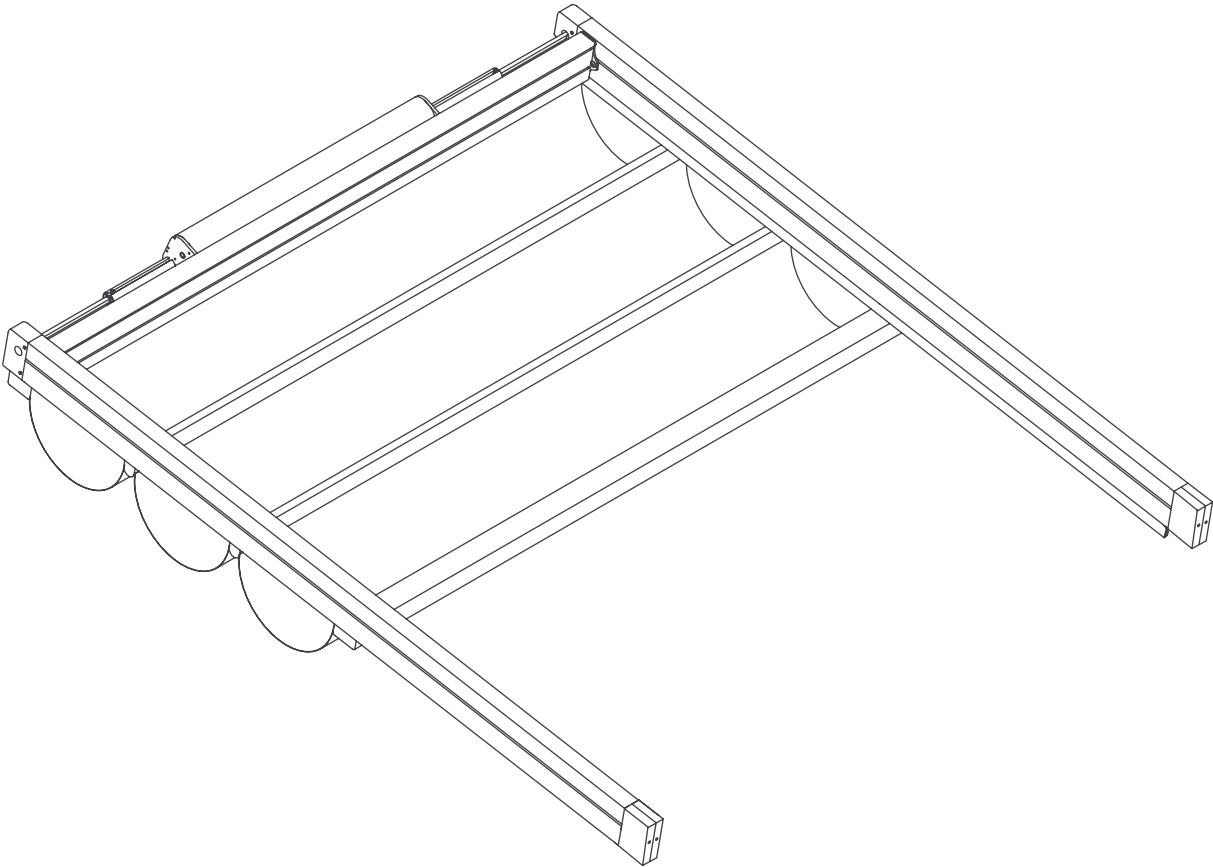


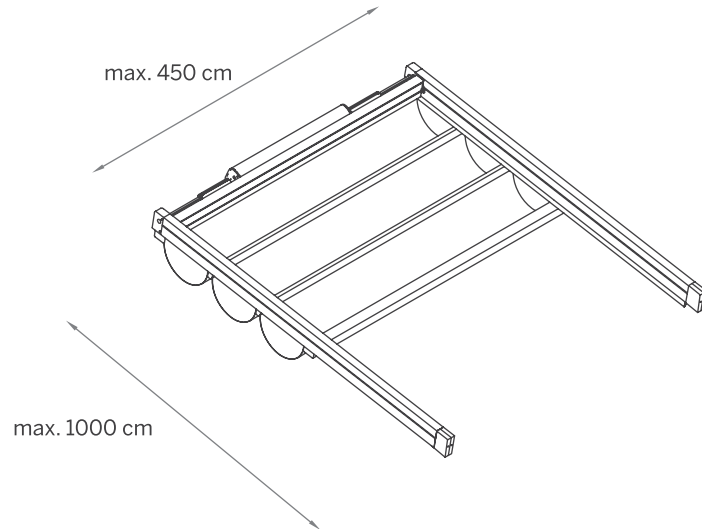
Pure



# Pure

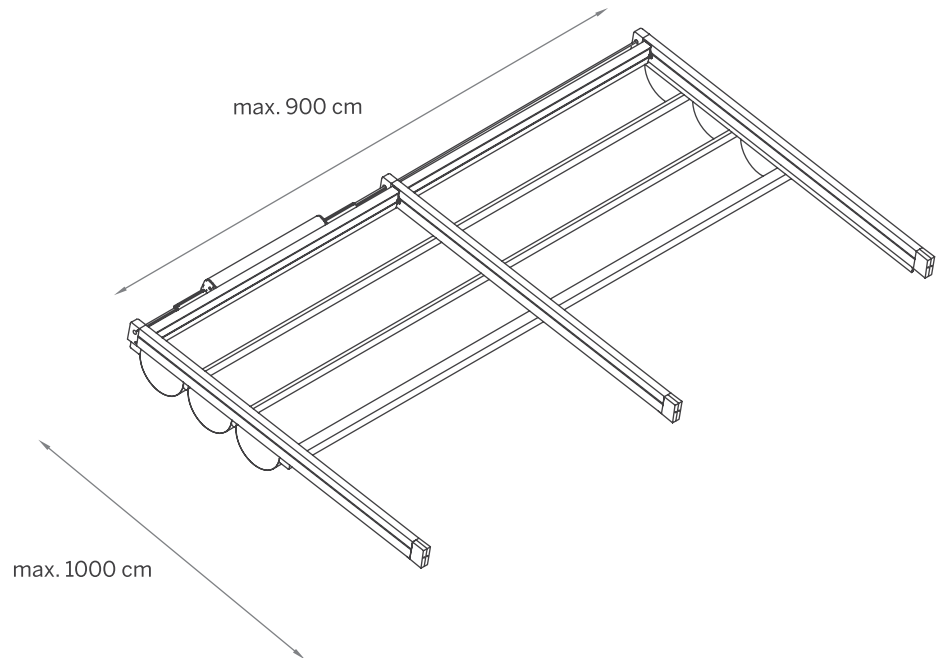
## One Module

200 cm > 450 cm  
One Module with one motor & 2 rafters



## Two Modules

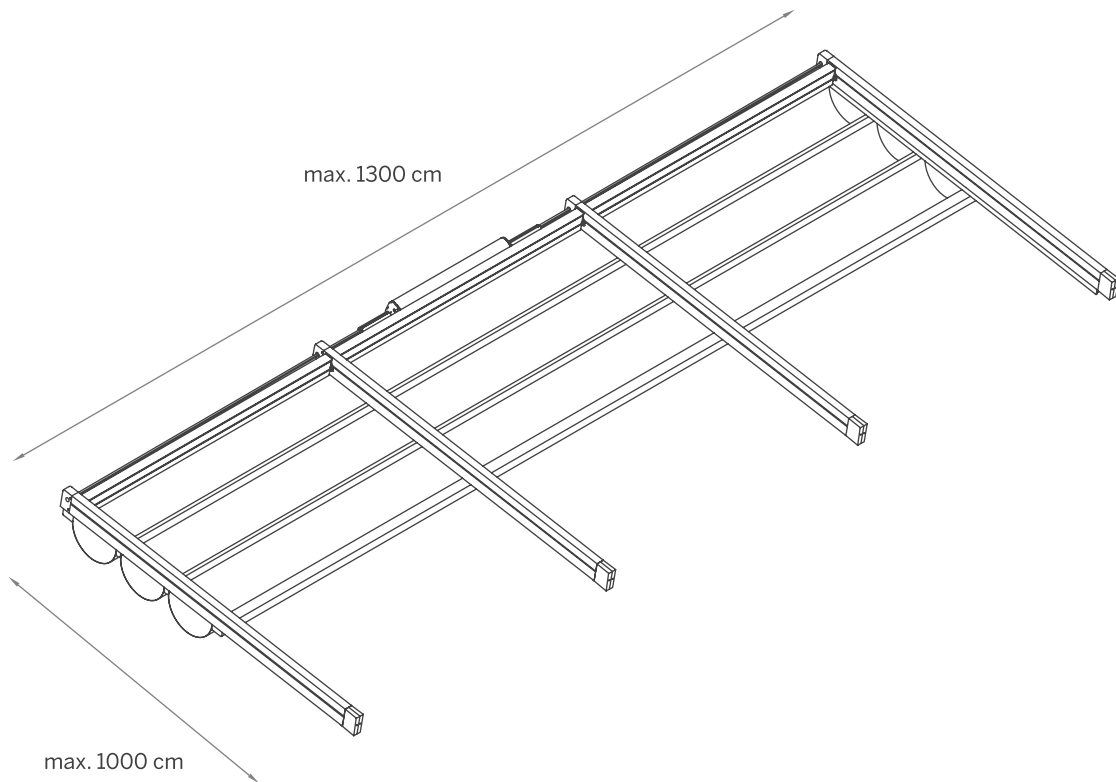
450 cm > 900 cm  
Two Modules with one motor & 3 rafters



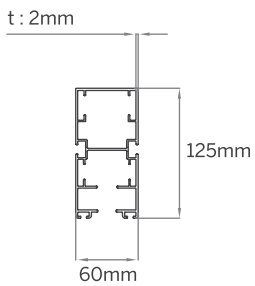
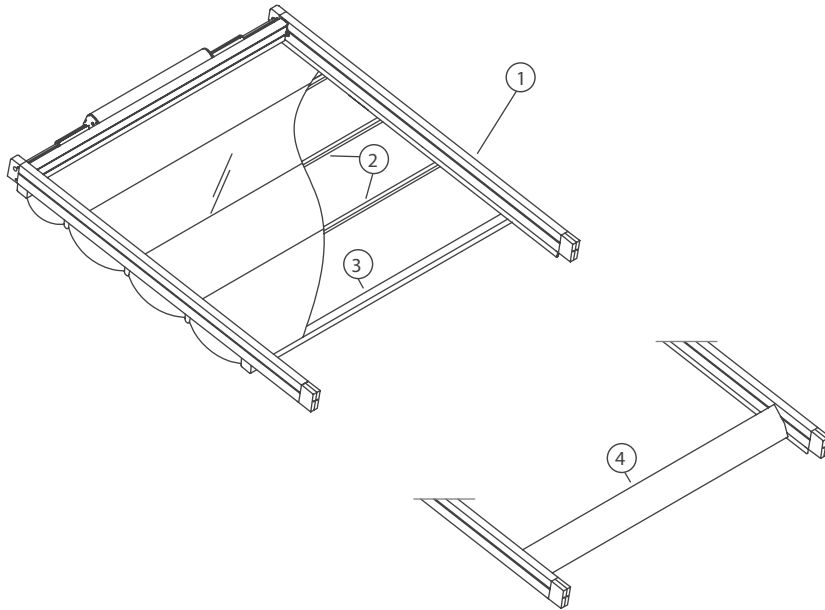
**Three Modules**

900 cm &gt; 1300 cm

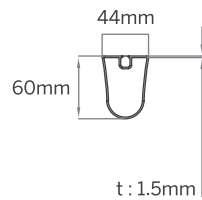
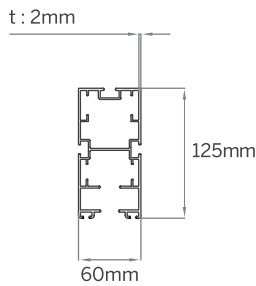
Three Modules with one motor &amp; 4 rafters



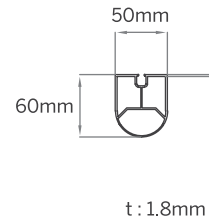
# Pure



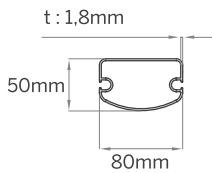
① Rafter



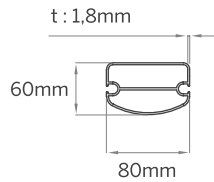
② Fabric Support (Standart)



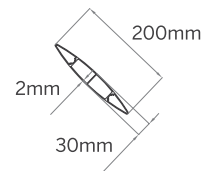
② Fabric Support (HDD Lux)



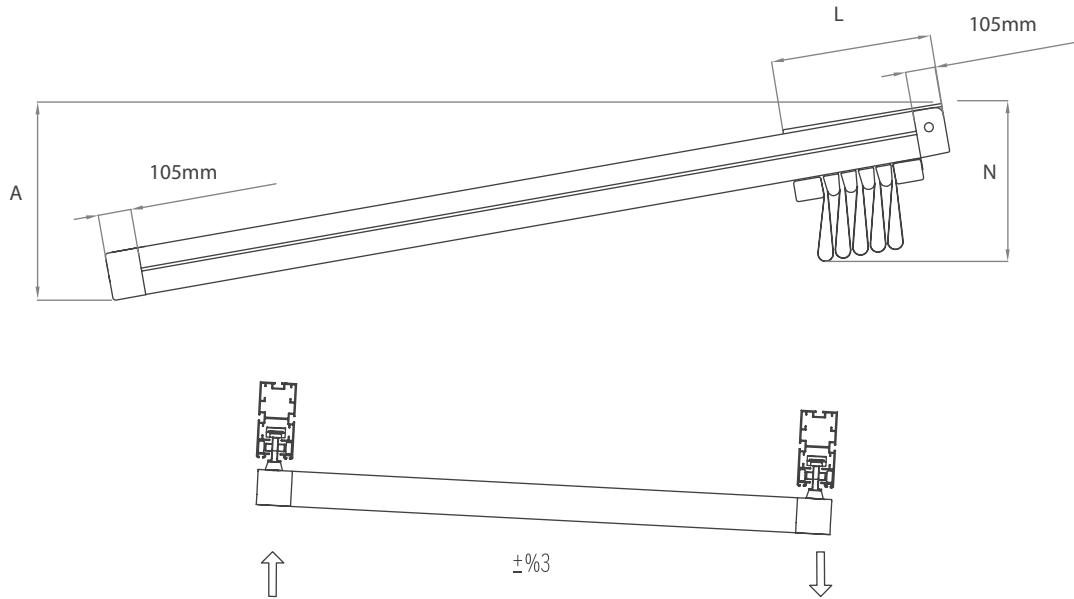
③ Puller Profile (Standart)



③ Puller Profile (HDD Lux)



④ Aerofoil Louvre



Pure

	Fabric Height	Hood	Fall	Fab.Sup.Profiles
	(N) mm	(L) mm	(A) mm	pc
300	417	672	495	7
350	409	811	555	9
400	424	881	615	10
450	437	950	675	11
500	449	1020	735	12
550	461	1089	799	13
600	472	1159	860	14
650	483	1228	920	15
700	494	1298	982	16
750	504	1367	1045	17
800	510	1506	1105	19
850	520	1576	1165	20
900	531	1645	1230	21
950	541	1715	1280	22
1000	551	1784	1351	23

Projection (P) cm