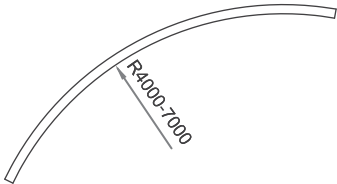
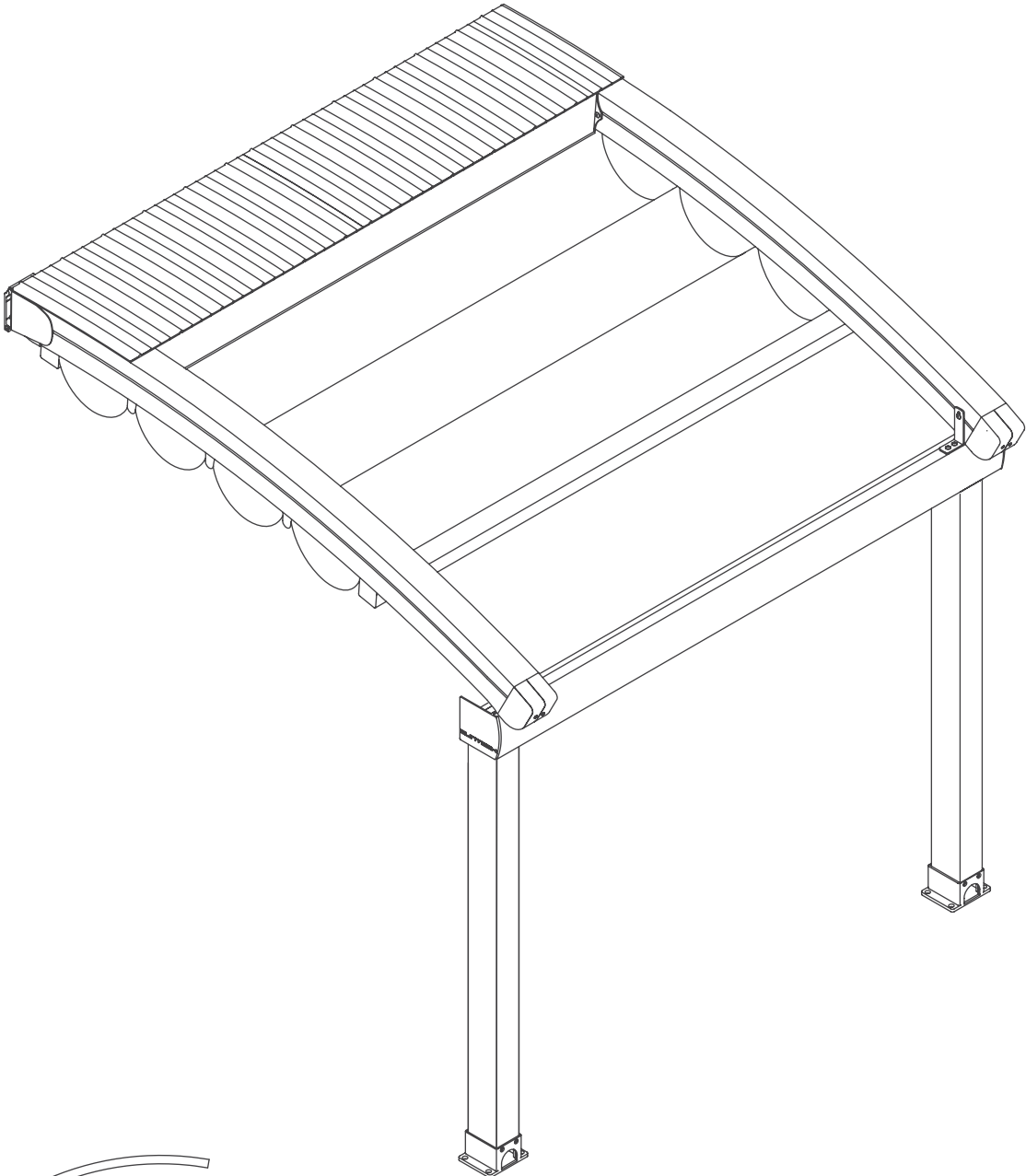


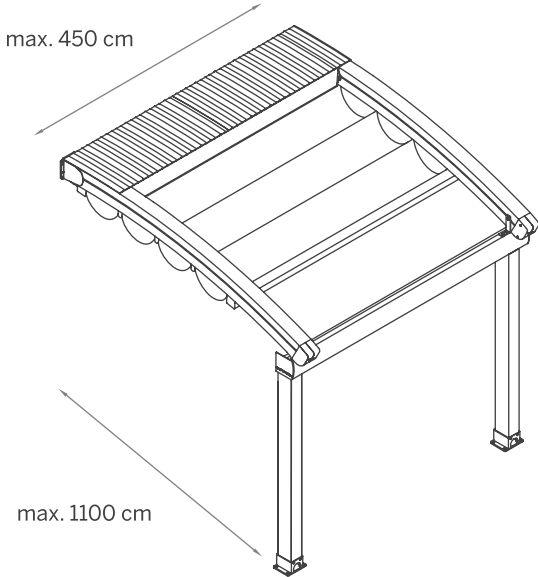
# Radian



# Radian

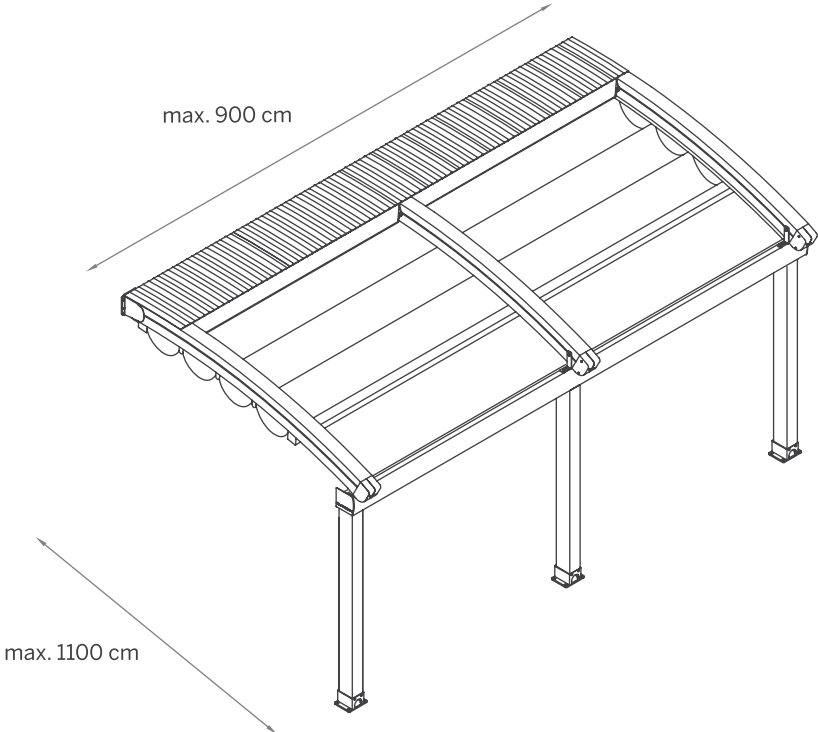
## One Module

200 cm > 450 cm  
One Module with one motor & 2 rafters



## Two Modules

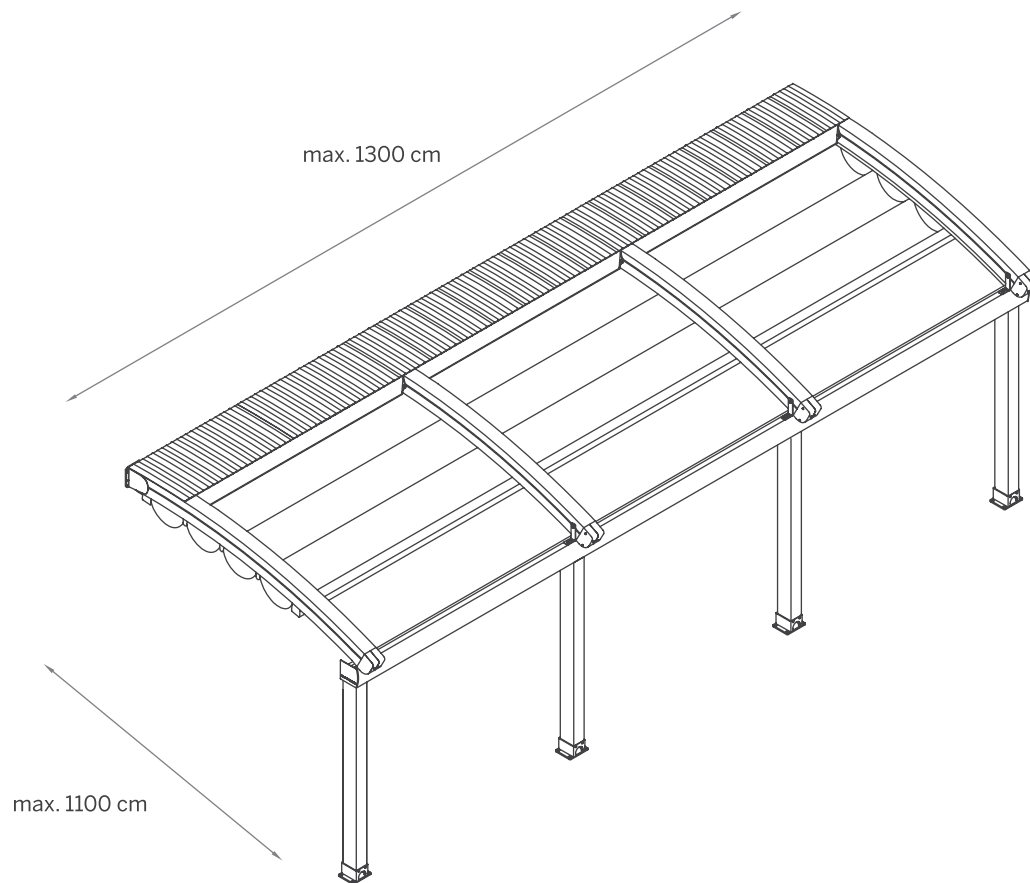
450 cm > 900 cm  
Two Modules with one motor & 3 rafters



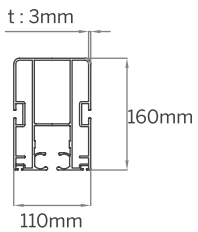
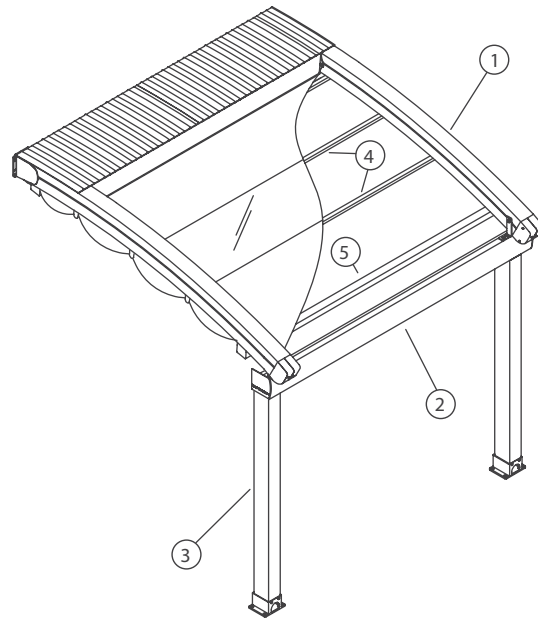
**Three Modules**

900 cm &gt; 1300 cm

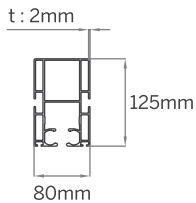
Three Modules with two motors &amp; 4 rafters



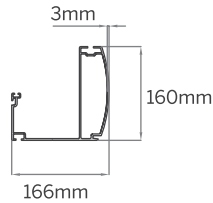
# Radian



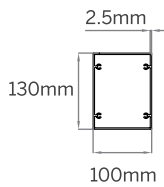
XL  
① Rafter



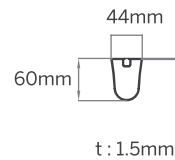
LT



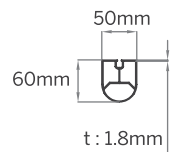
② Gutter



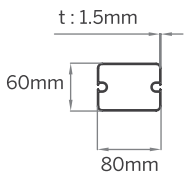
③ Post



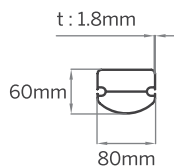
④ Fabric Support (Standart)



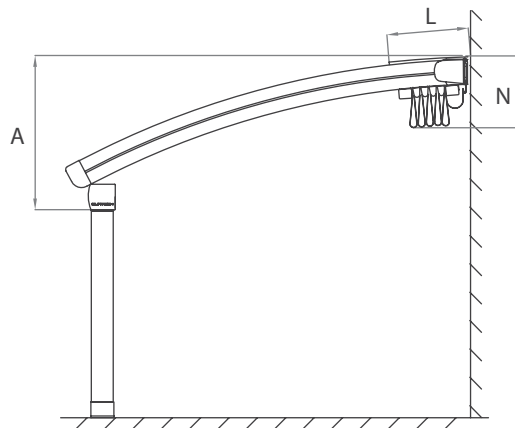
④ Fabric Support (HDD Lux)



⑤ Puller Profile (Standart)



⑤ Puller Profile (HDD Lux)



## Radian LT

Projection (P) cm	Fabric Height	Hood	Fall	Fab.Sup.Profiles
	(N*) mm	(L*) mm	(A*) mm	pc*
300	387	727	837	8
350	389	772	988	9
400	393	830	1032	10
450	396	876	1214	11
500	396	948	1333	12
550	404	1034	1434	14
600	409	1110	1510	15
650	410	1153	1555	16
700	415	1190	1749	17

\*Values can vary by different radius values.

## Radian XL

Projection (P) cm	Fabric Height	Hood	Fall	Fab.Sup.Profiles
	(N*) mm	(L*) mm	(A*) mm	pc*
300	412	707	866	8
350	415	745	1018	9
400	418	801	1112	10
450	421	857	1243	11
500	421	908	1363	12
550	430	1027	1462	14
600	434	1083	1538	15
650	436	1133	1583	16
700	440	1190	1778	17
750	440	1241	1563	18
800	444	1297	1723	19
850	446	1342	1894	20
900	450	1409	2075	21
950	454	1459	1925	22
1000	457	1572	2087	24
1050	461	1626	2256	25
1100	465	1682	2436	26

\*Values can vary by different radius values.