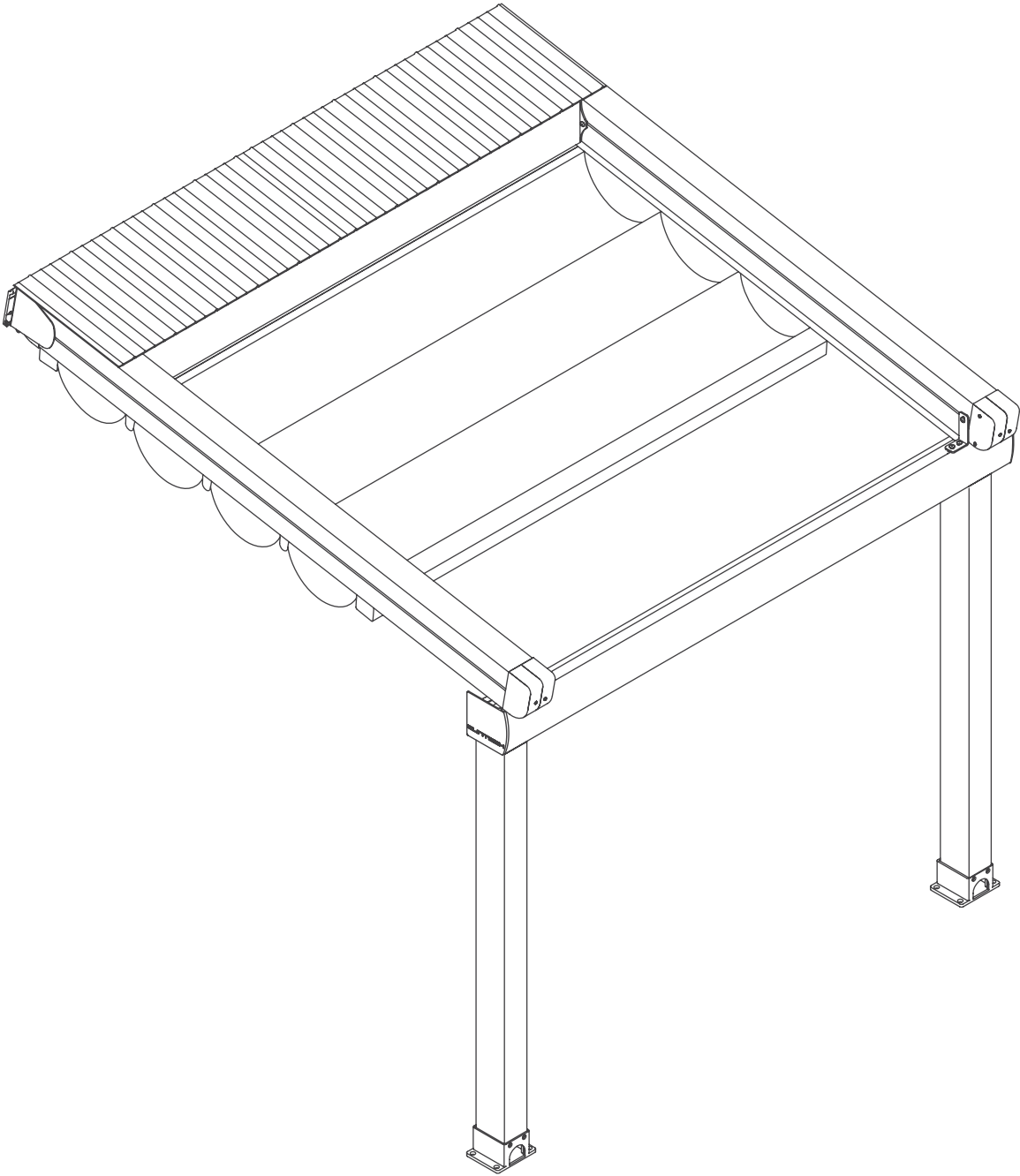


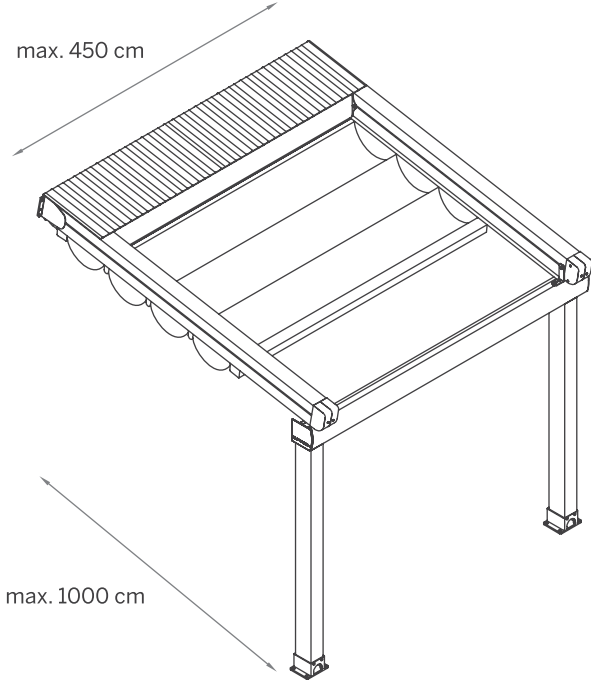
Smooth



Smooth

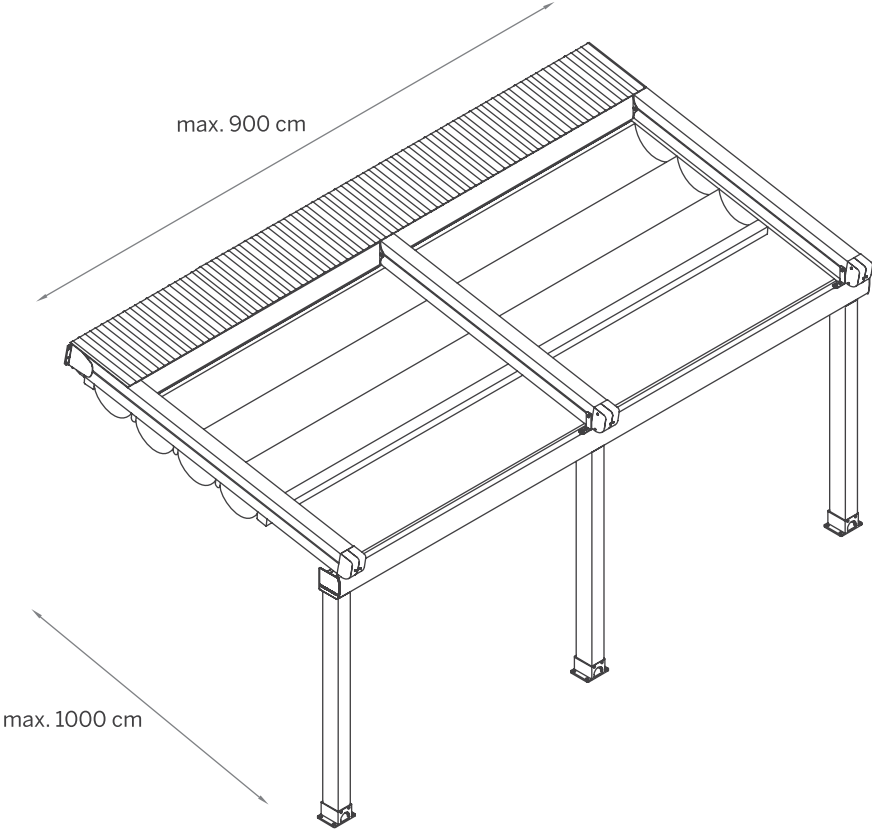
One Module

200 cm > 450 cm
One Module with one motor & 2 rafters



Two Modules

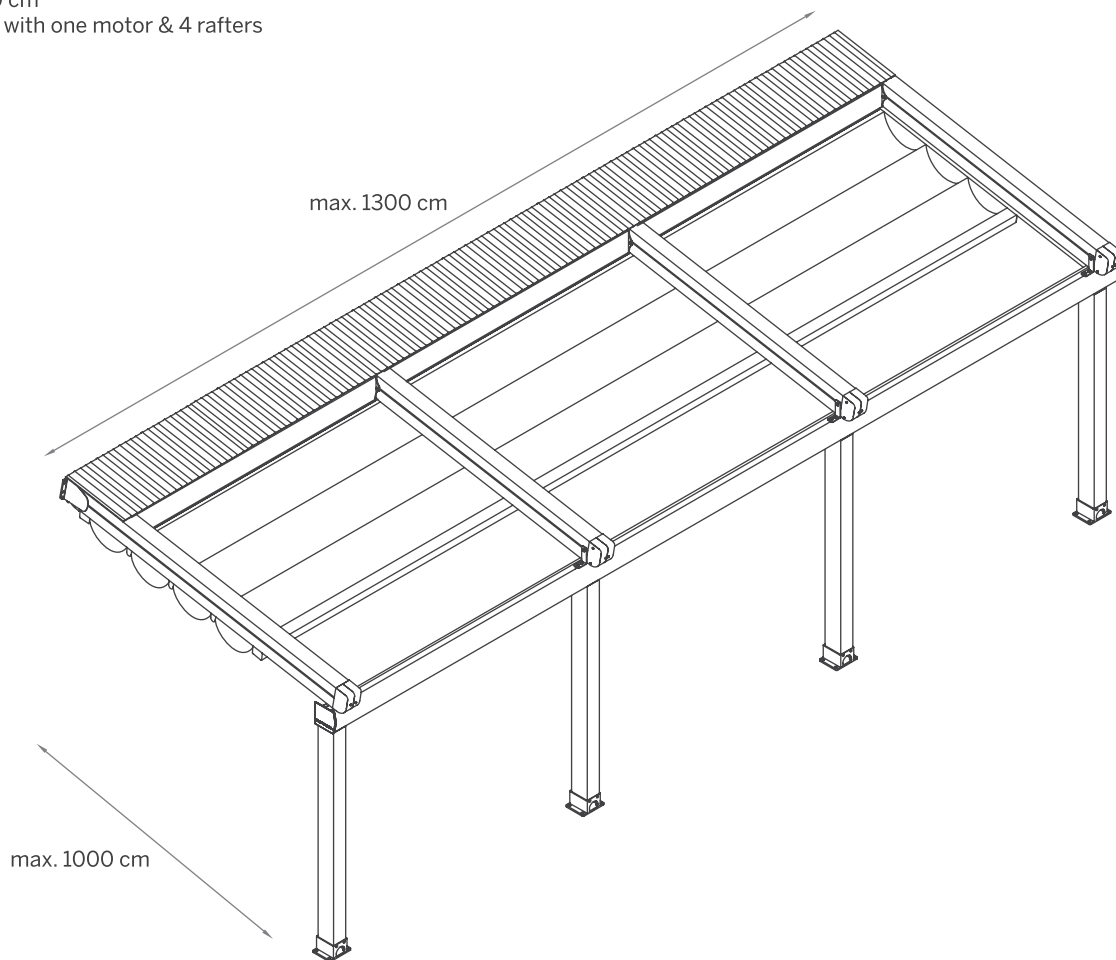
450 cm > 900 cm
Two Modules with one motor & 3 rafters



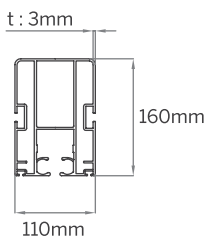
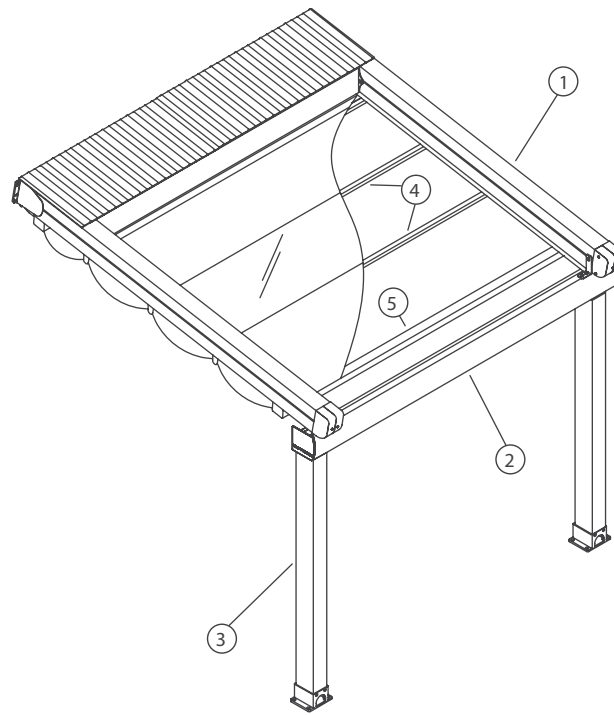
Three Modules

900 cm > 1300 cm

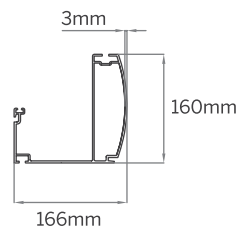
Three Modules with one motor & 4 rafters



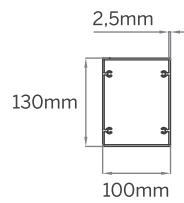
Smooth



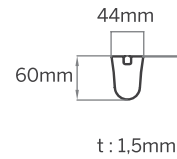
① Rafter



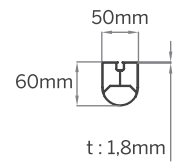
② Gutter



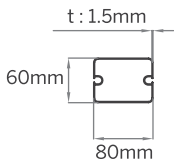
③ Post



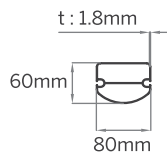
④ FabricSupport (Standart)



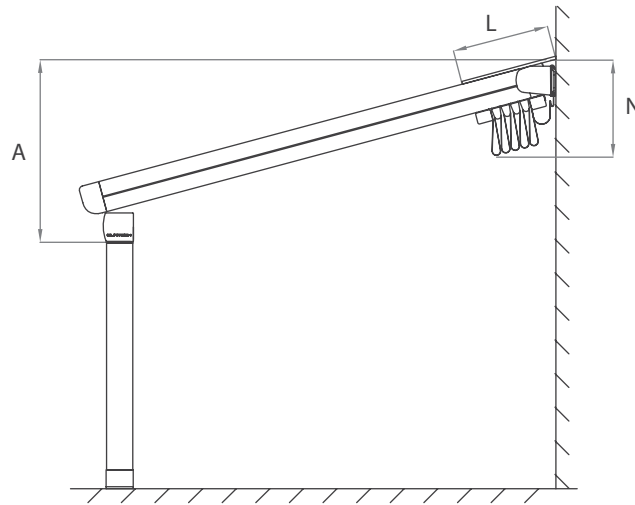
④ Fabric Support (HDD Lux)



⑤ Puller Profile (Standart)



⑤ Puller Profile (HDD Lux)



Smooth

	Fabric Height	Hood	Fall	Fab.Sup.Profiles
	(N*) mm	(L*) mm	(A*) mm	pc*
300	438	646	671	7
350	446	701	733	8
400	453	756	794	9
450	466	866	856	11
500	472	921	917	12
550	479	976	978	13
600	486	1031	1040	14
650	492	1086	1101	15
700	499	1141	1163	16
750	506	1196	1224	17
800	513	1251	1285	18
850	525	1361	1347	20
900	532	1416	1408	21
950	539	1471	1470	22
1000	546	1526	1531	23

*With min. inclination of 7°. Values can vary by other inclination values.